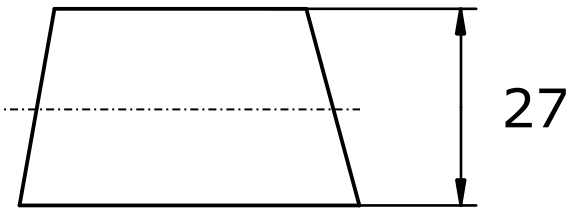
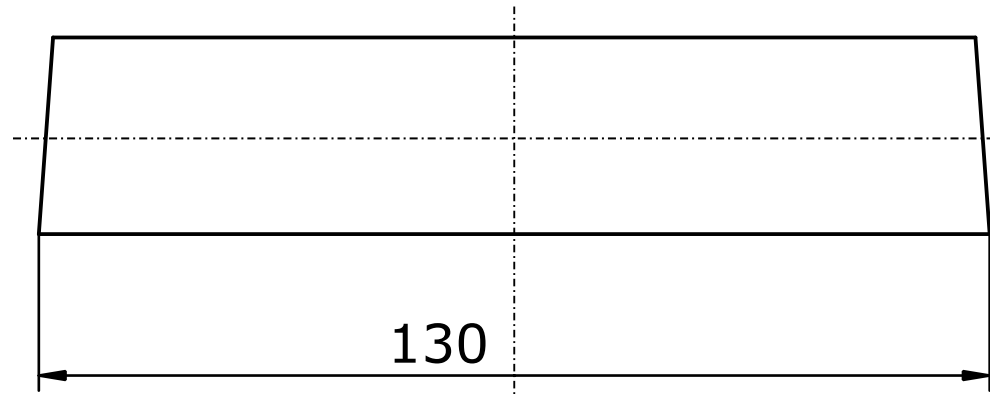
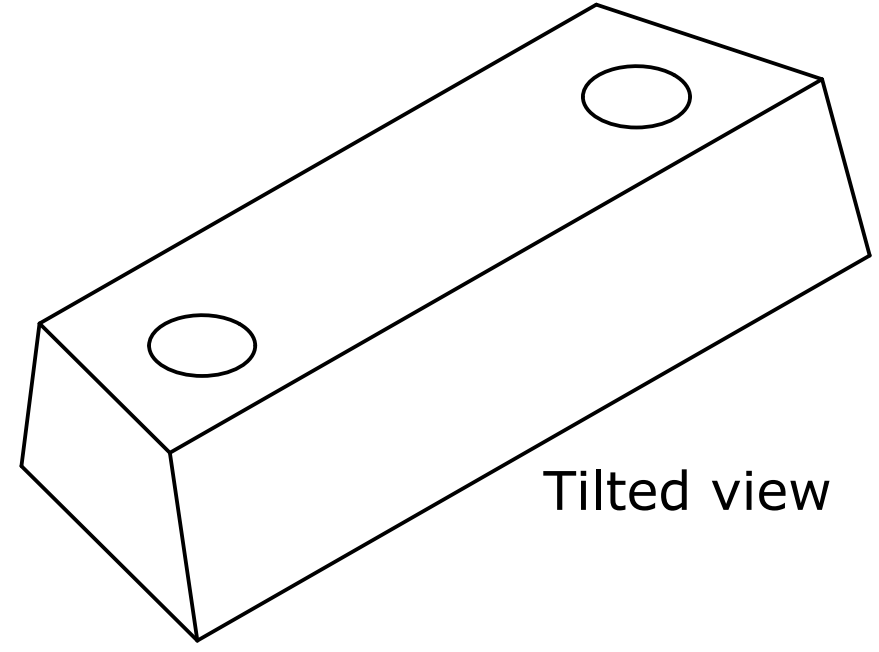
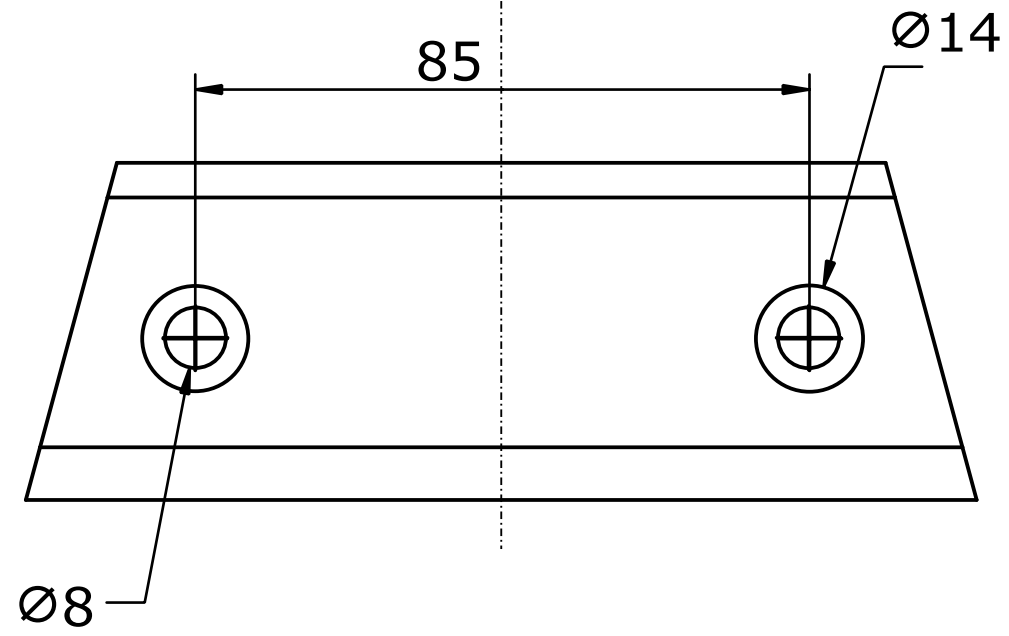


Anodes compatible with Volvo Penta



Reference number
852835



Anode Category :
Anodes compatible with Volvo Penta

Material:
AlZn5In

Article:
9204AL

Weight:
0,294kg

ISO (Norm)

(For information only, is not subject to change management)

Scale: **1:1**

Zst:	Changes:	Date: