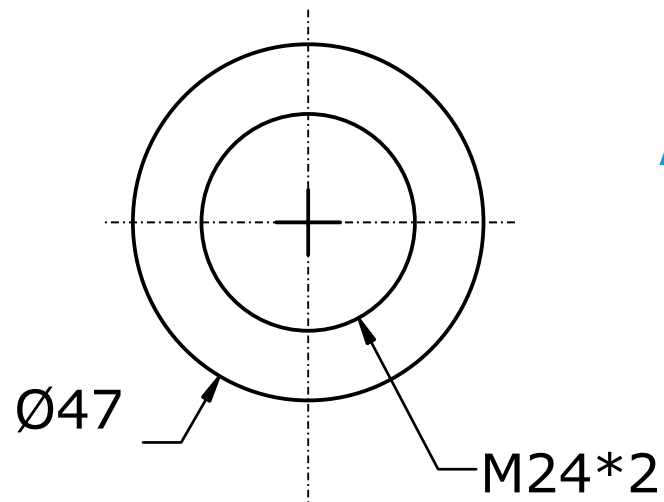
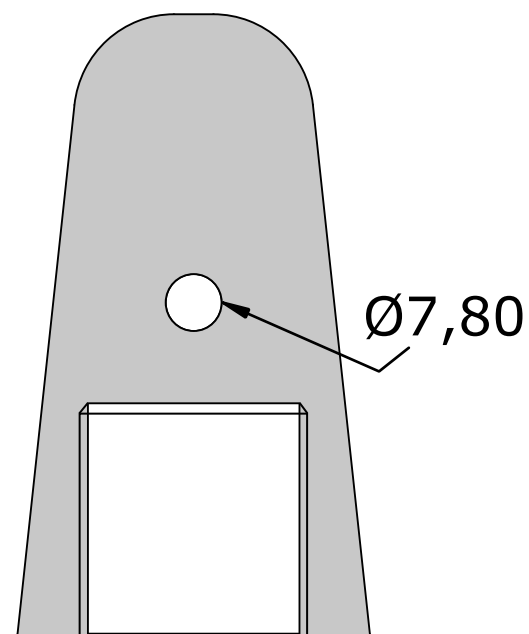
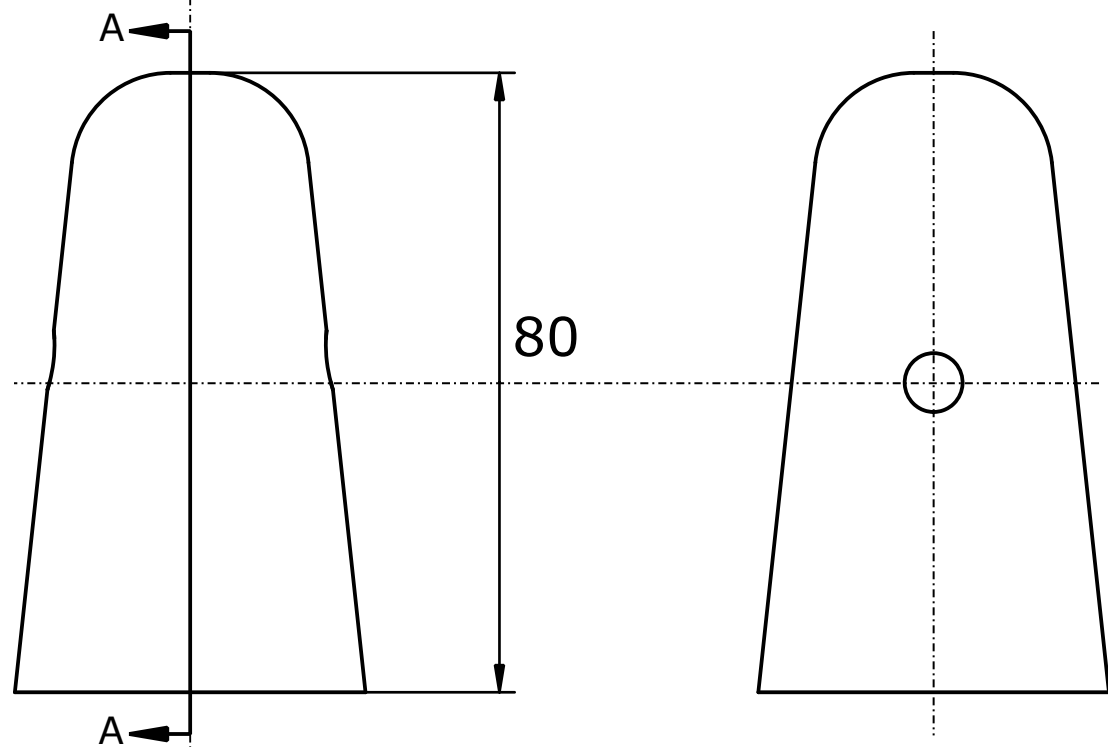


Anodes compatible with Volvo Penta

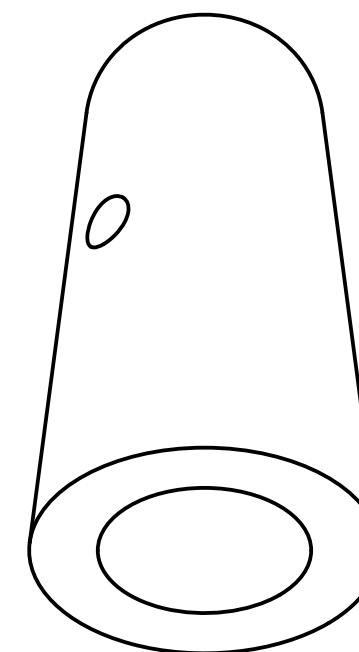


Reference number

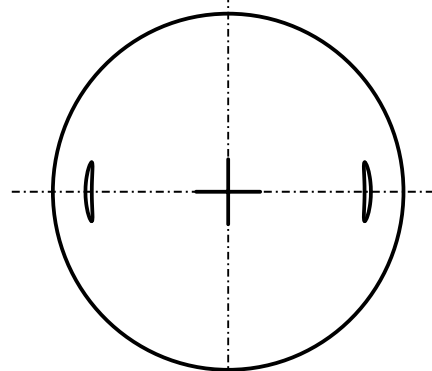
873413




Sectional view A-A



Tilted view



	Anode Category :	Article:			
	Anodes compatible with Volvo Penta	9219AL			
	Material:	Weight:			
	AlZn5In	0,217kg			
ISO (Norm.)	(For information only, is not subject to change management)		Scale:		
			1:1	Zst:	Changes: Date: