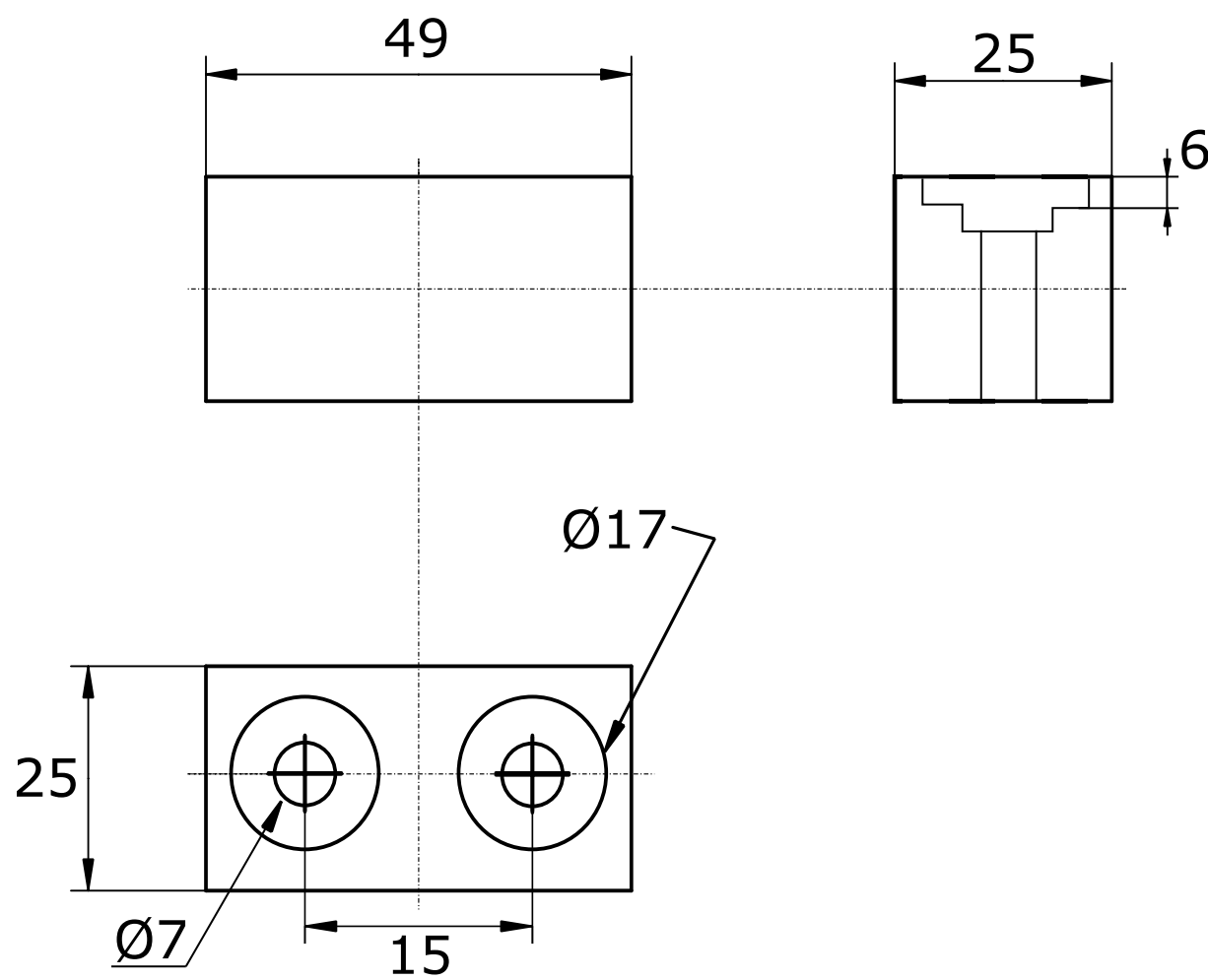
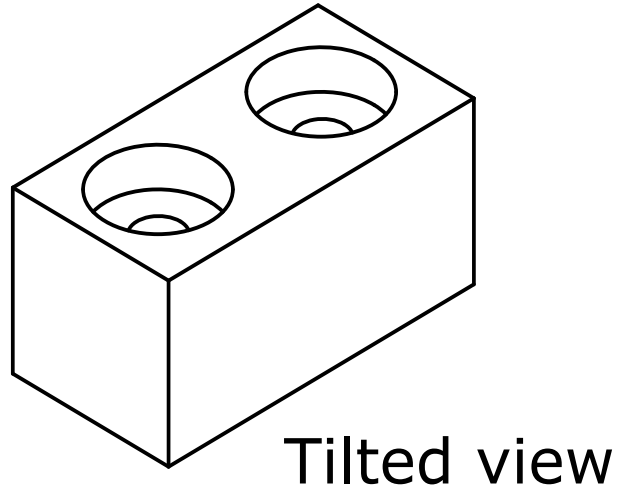


# Anodes compatible with Yamaha



Reference number
4325200



ISO (Norm)

Anode Category :  
Anodes compatible with Yamaha

Material:  
AlZn5In

Article:  
9550AL

Weight:  
0,071kg

(For information only, is not subject to change management) Scale: **1:1**

Zst:	Changes:	Date: