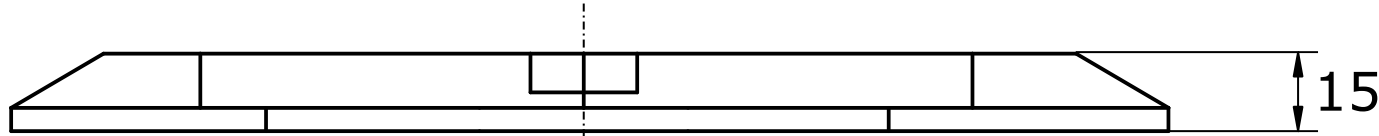
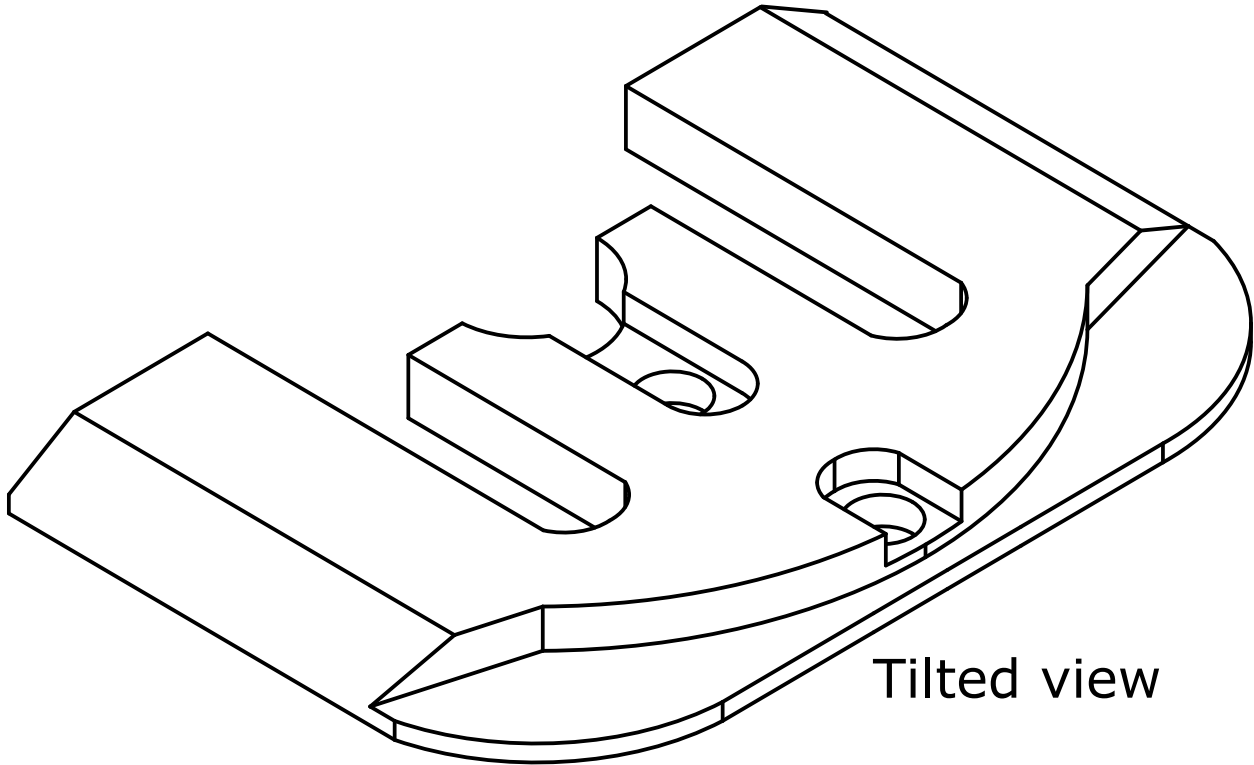
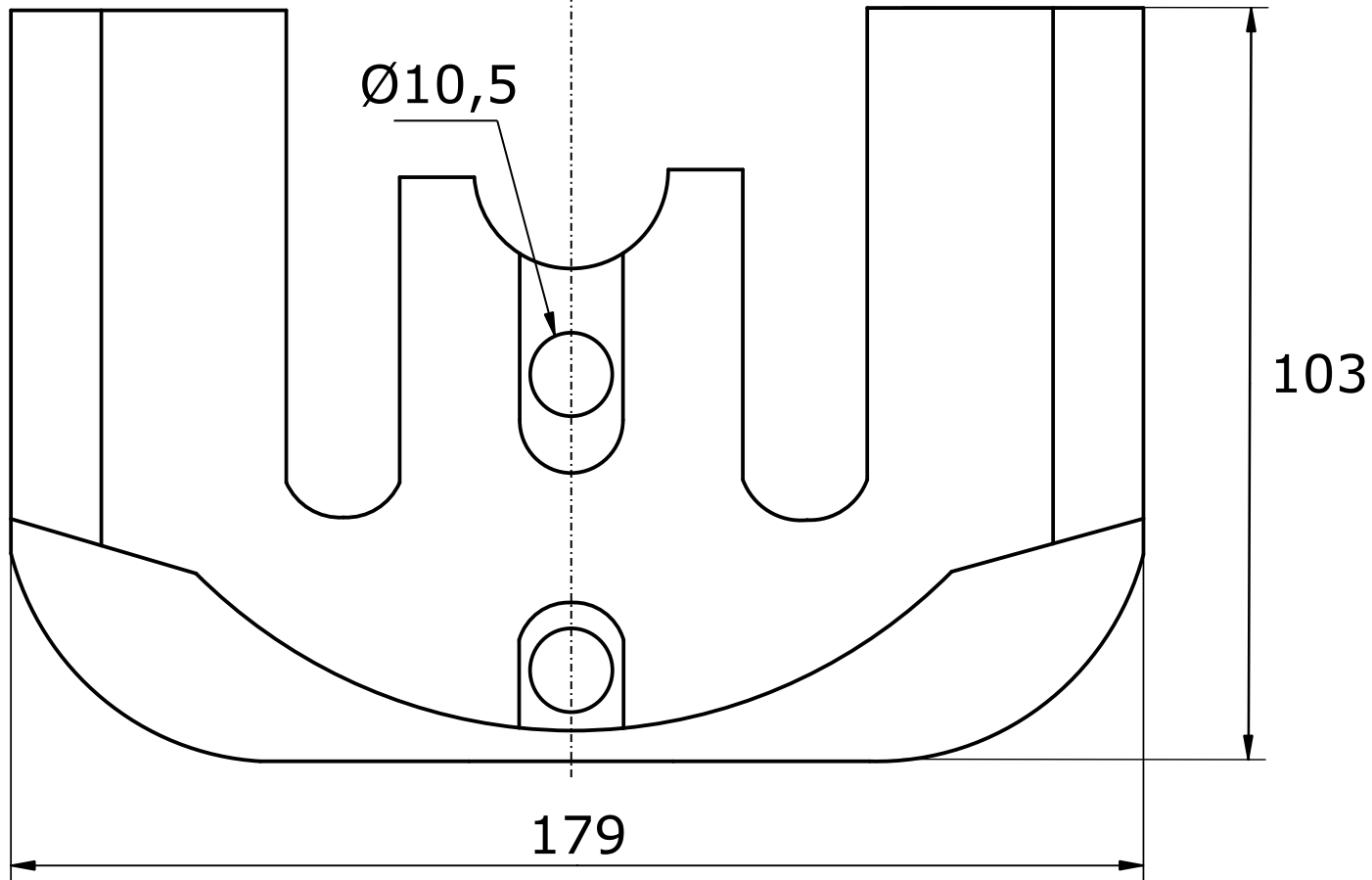


Anodes compatible with Mercury

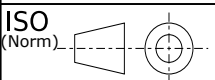


Reference number
821630/2



Anode Category :
Anodes compatible with Mercury
Material:
AlZn5In

Article:
9702AL
Weight:
0,390kg



(For information only, is not subject to change management)

Scale: **1:1**

Zst: Changes: Date: