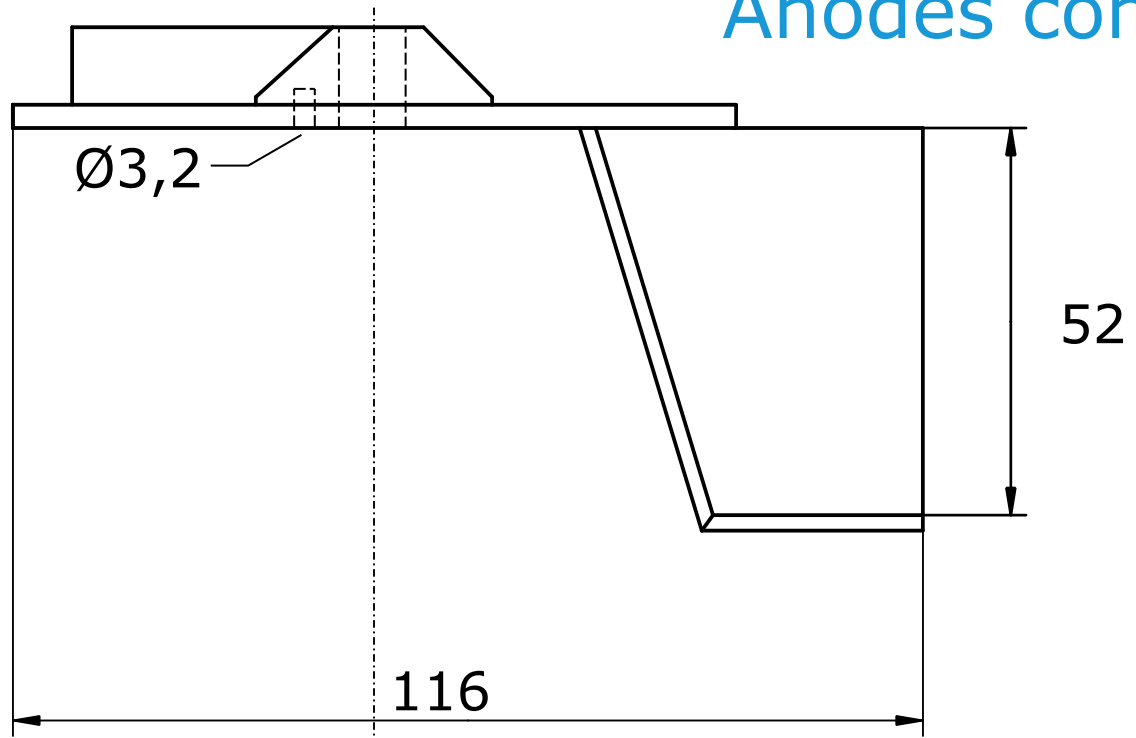
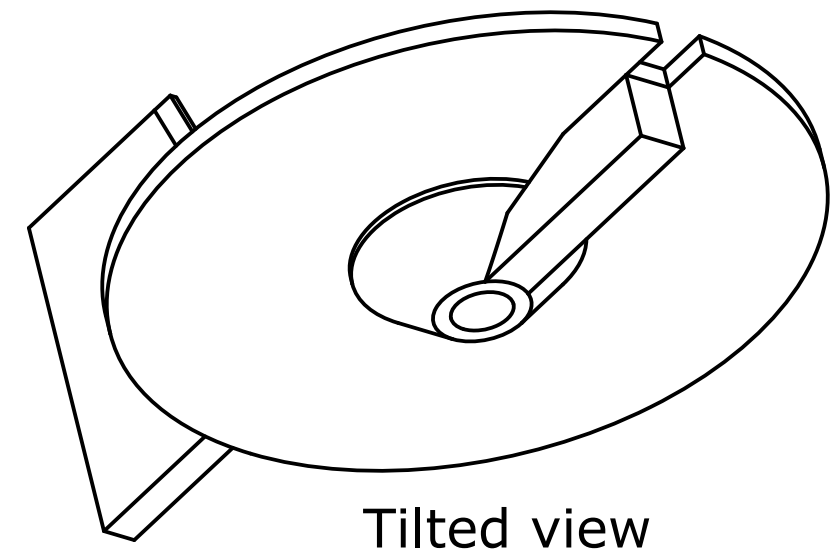
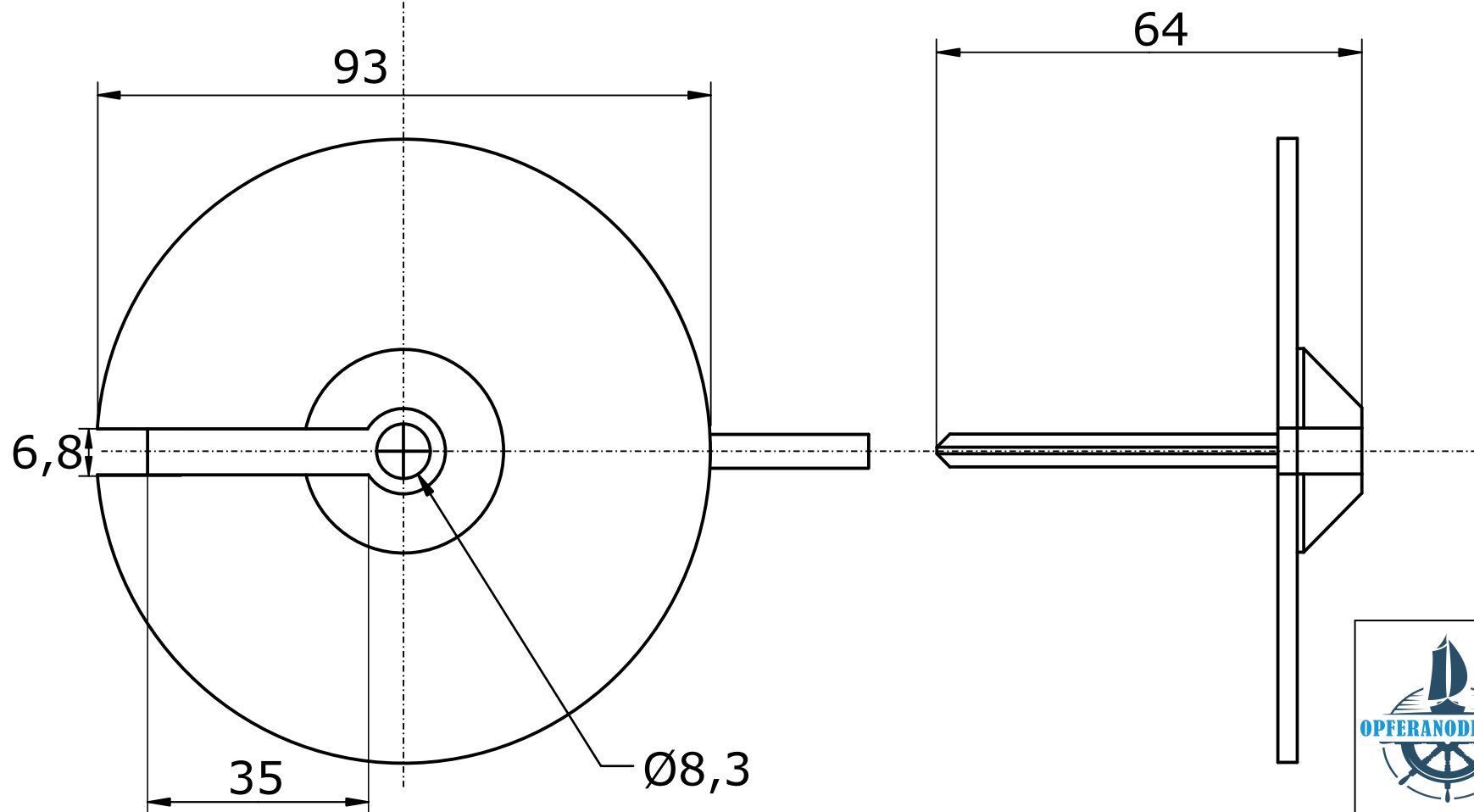



Anodes compatible with Mercury



Reference number
94286



	Anode Category :	Article:			
	Anoden compatible with Mercury	9708AL			
	Material:	Weight:			
	AlZn5In	0,103kg			
ISO (Norm.)	(For information only, is not subject to change management)		Scale:	1:1	
	Zst:	Changes:	Date:		