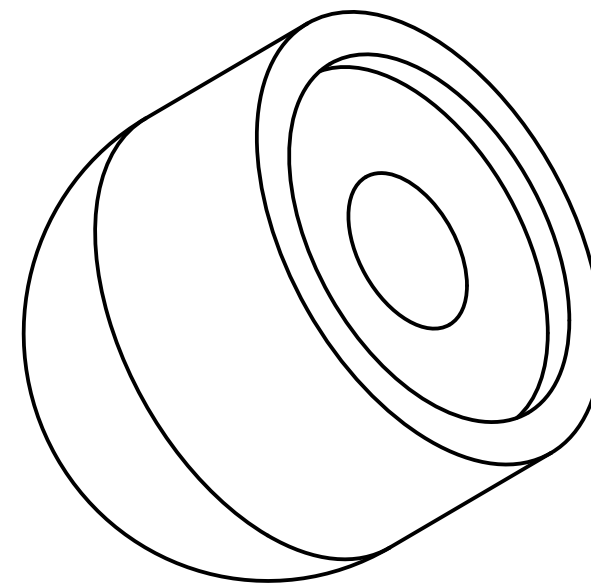
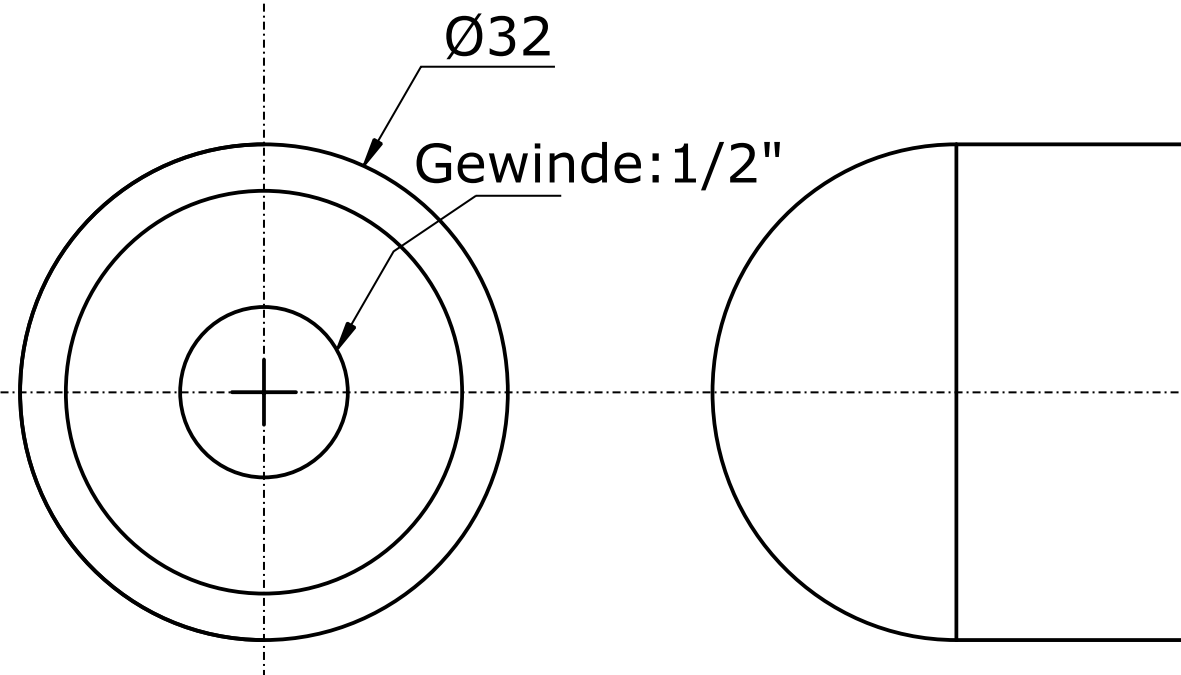
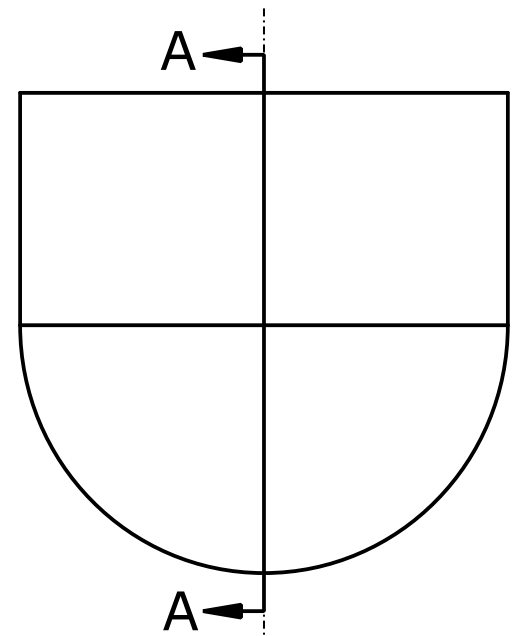
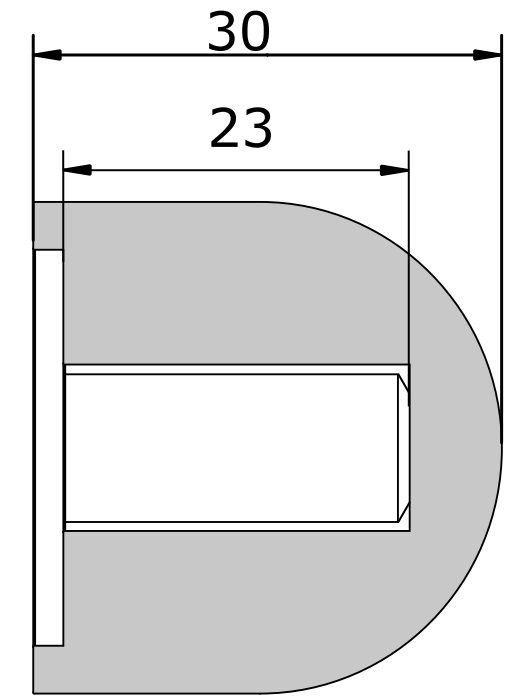


Anodes compatible with Mercury

Referenznummer OMC
55989



Tilted view



Sectional view A-A

	Anode Category :	Article:			
	Anodes compatible with Mercury	9709AL			
	Material:	Weight:			
	AlZn5In	0,084kg			
ISO (Norm.)	(For information only, is not subject to change management)		Scale:		
			1:1	Zst:	Changes: Date: