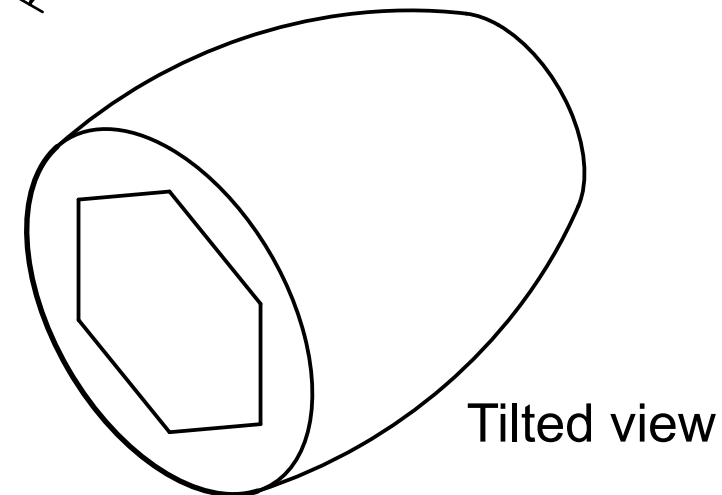
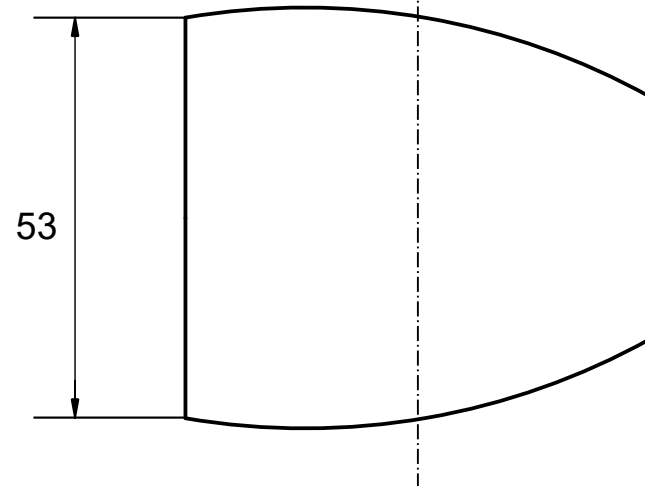
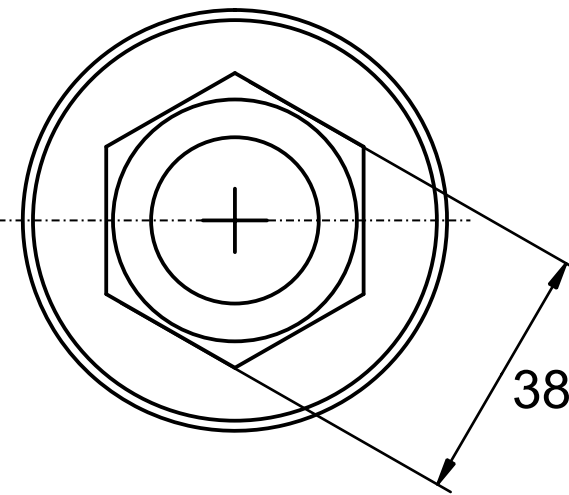
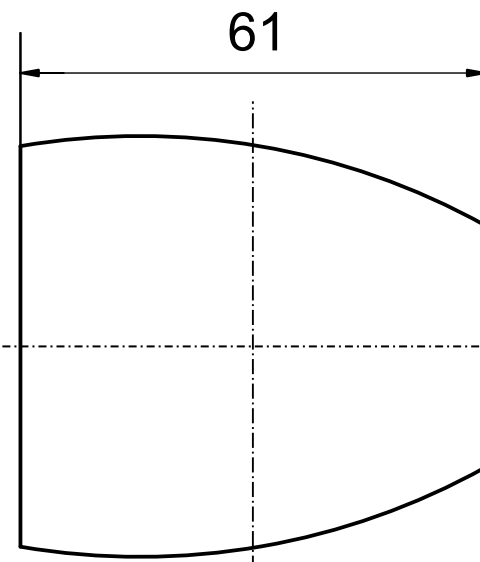
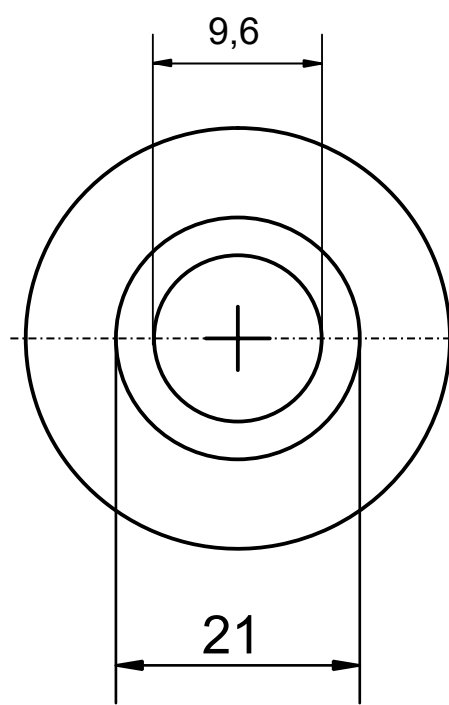

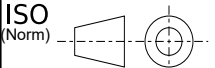


# Anodes compatible with Mercury

Reference number Mercury
865182



	Anode Category: Anodes compatible with Mercury	Article: 9719AL			
	Material: AlZn5In	Weight: 0,200kg			
	(For information only, is not subject to change management)	Scale: <b>1:1</b>	Zst:	Changes:	Date: