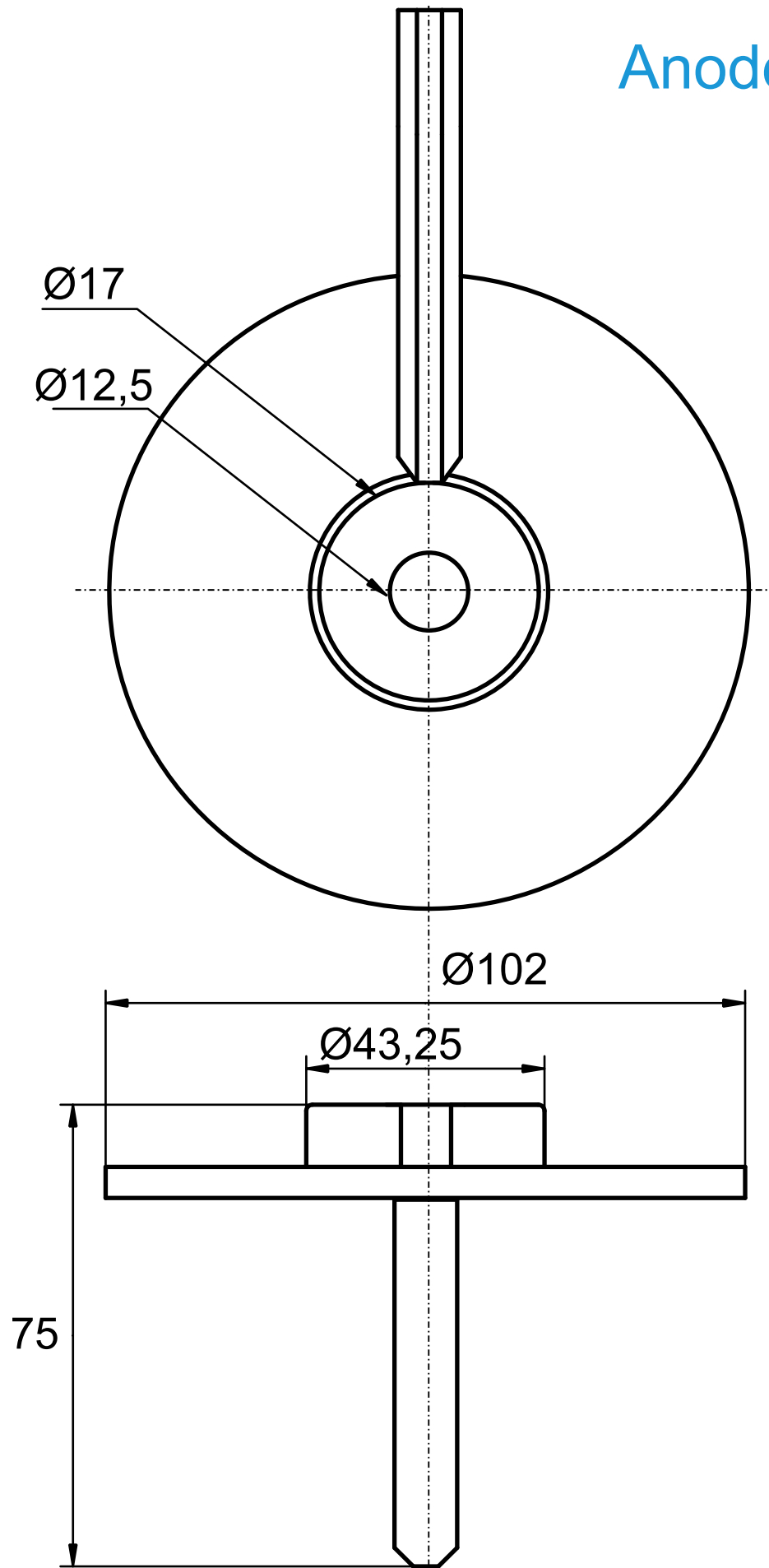
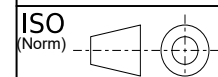
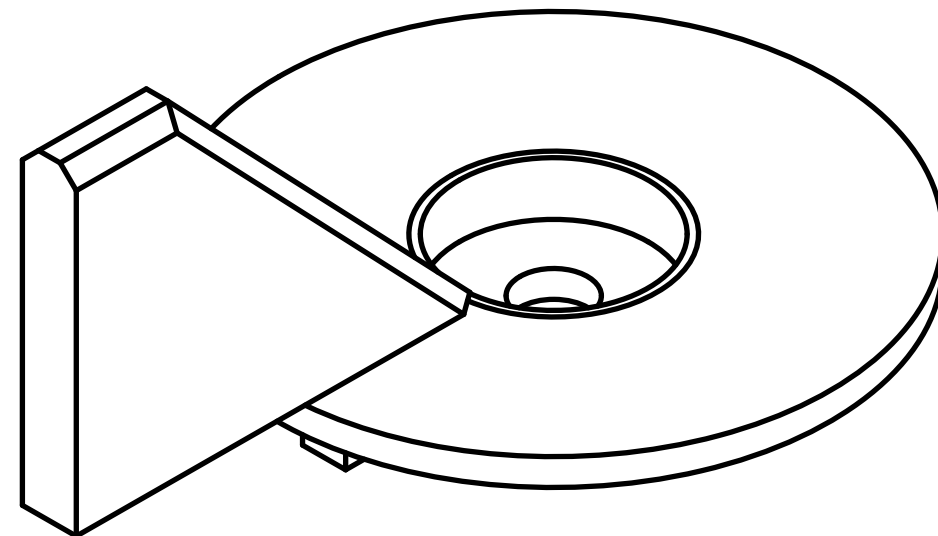


Anodes compatible Mercury



Reference-number
 822157-C3 replaces the references
 17264-C1 and F755457



Anode Category :	Anodes compatible to Mercury	Article:	9720AL		
Material:	AlZn5In	Weight:	0,187kg		
(For information only, is not subject to change management)		Scale:	1:1	Zst:	Changes:
				Date:	