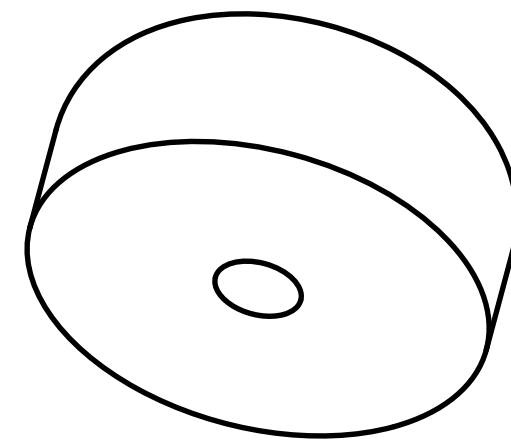
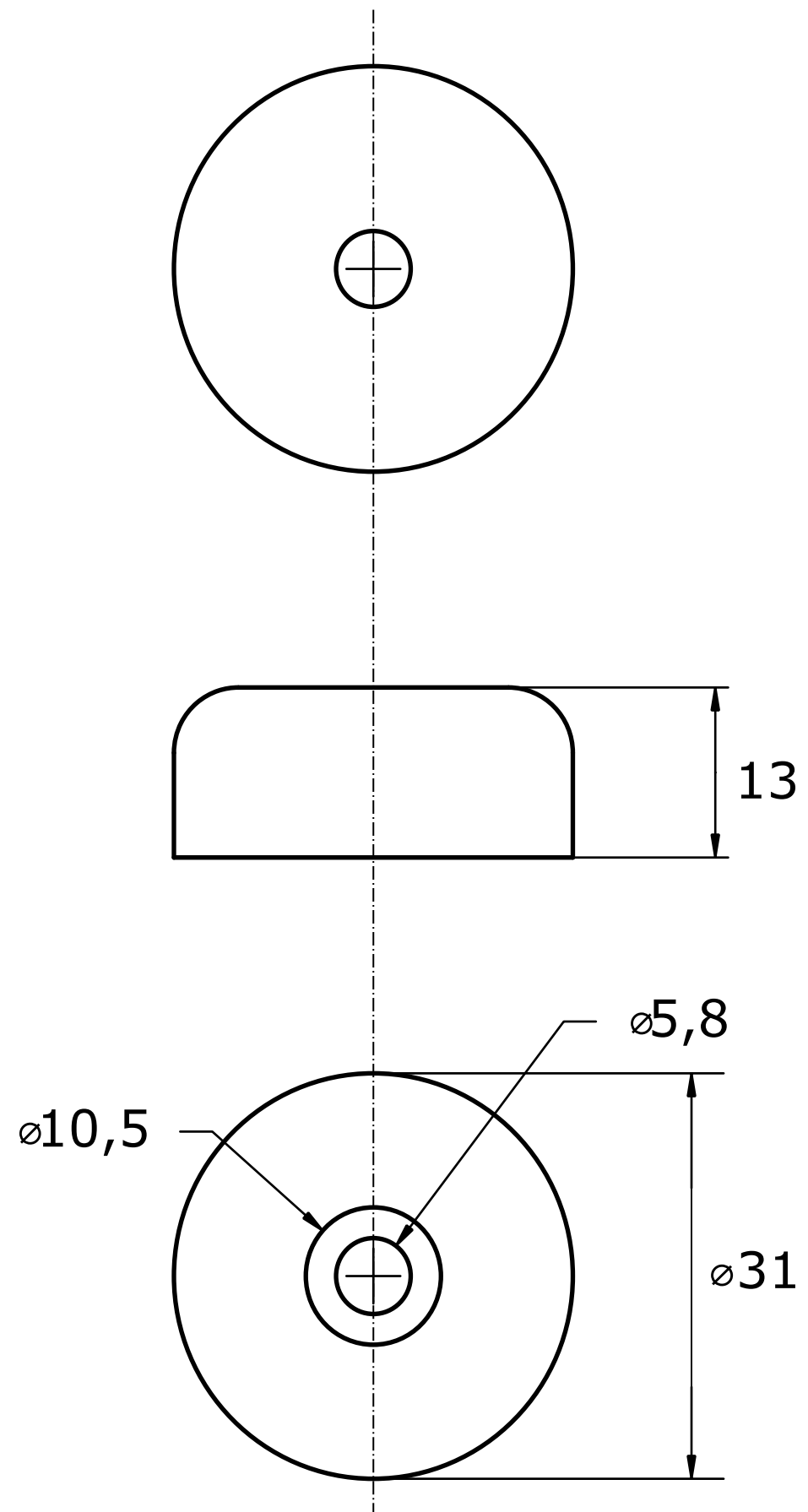


Flexofold

Manufacturer Reference
#114



Tilted-View

	Anode Category :	Article:			
	Flexofold	9429			
ISO (Norm)	Material:	Weight:			
	Zinc	0,60kg			
(For information only, is not subject to change management)		Scale:	2:1	Zst:	Changes: Date: