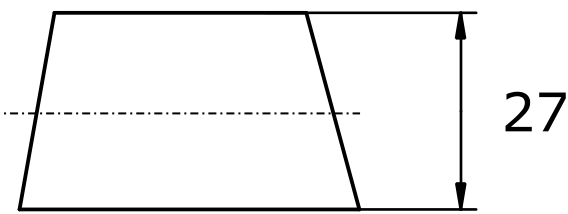
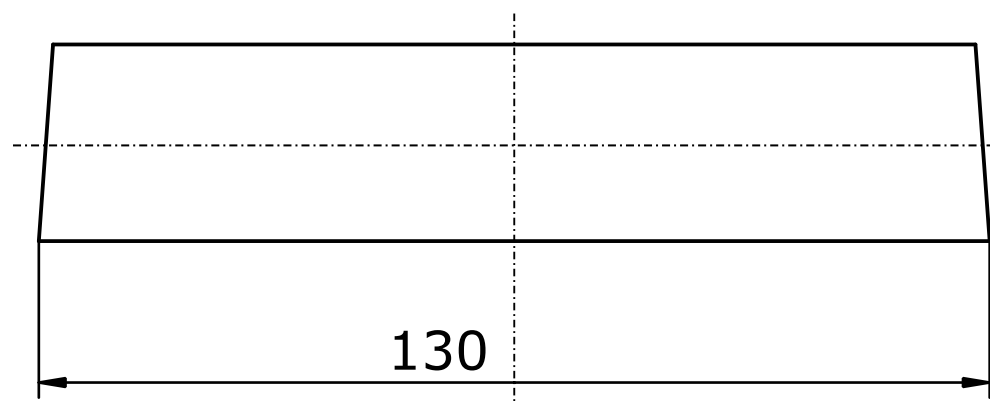
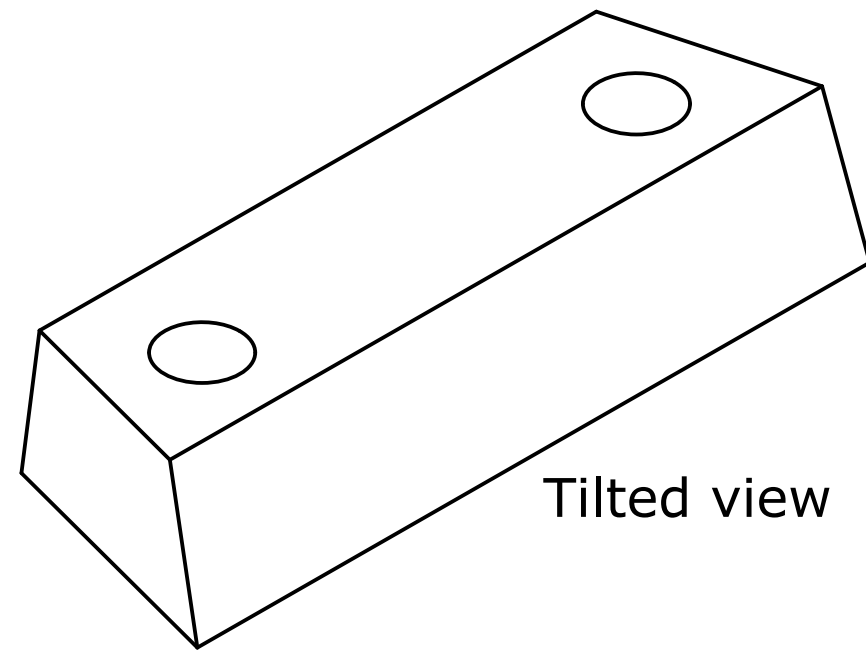
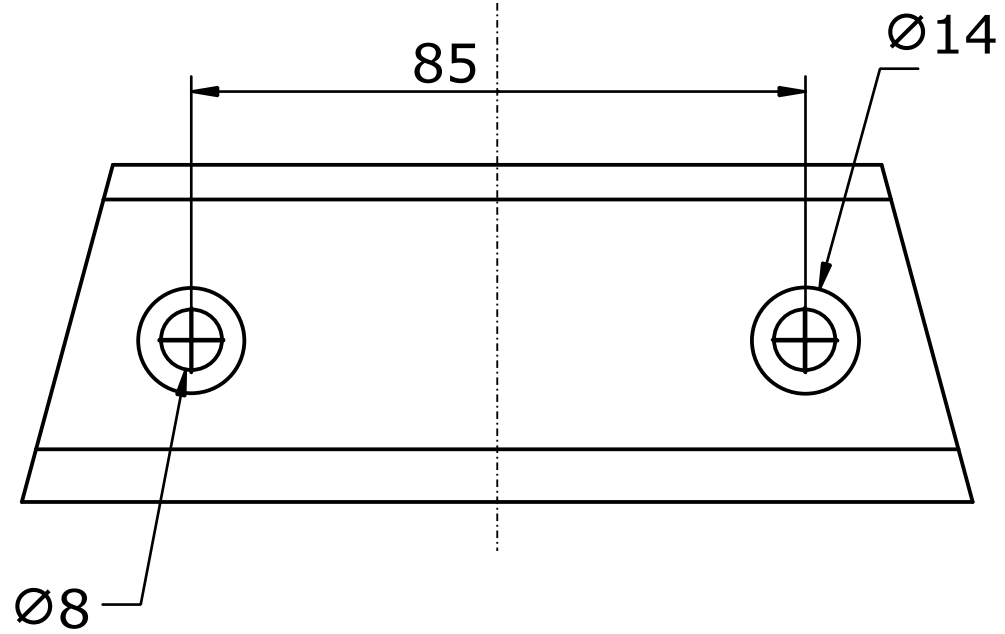

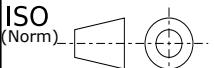


# Anodes compatible with Volvo Penta



Reference number
852835



	Anode Category :	Article:			
	Anodes compatible with Volvo Penta	9204			
	Material:	Weight:			
	Zinc	0,785kg			
(For information only, is not subject to change management)		Scale: <b>1:1</b>	Zst:	Changes:	Date: