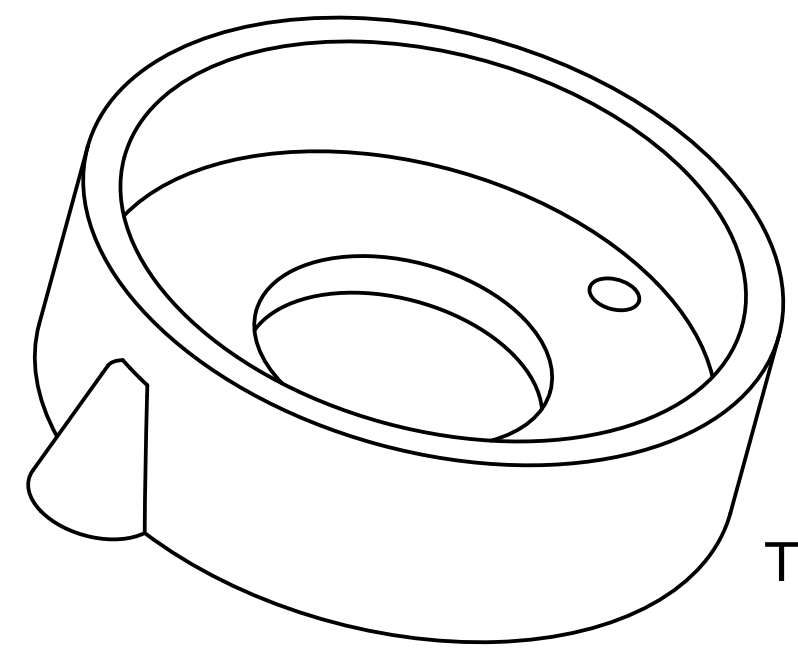
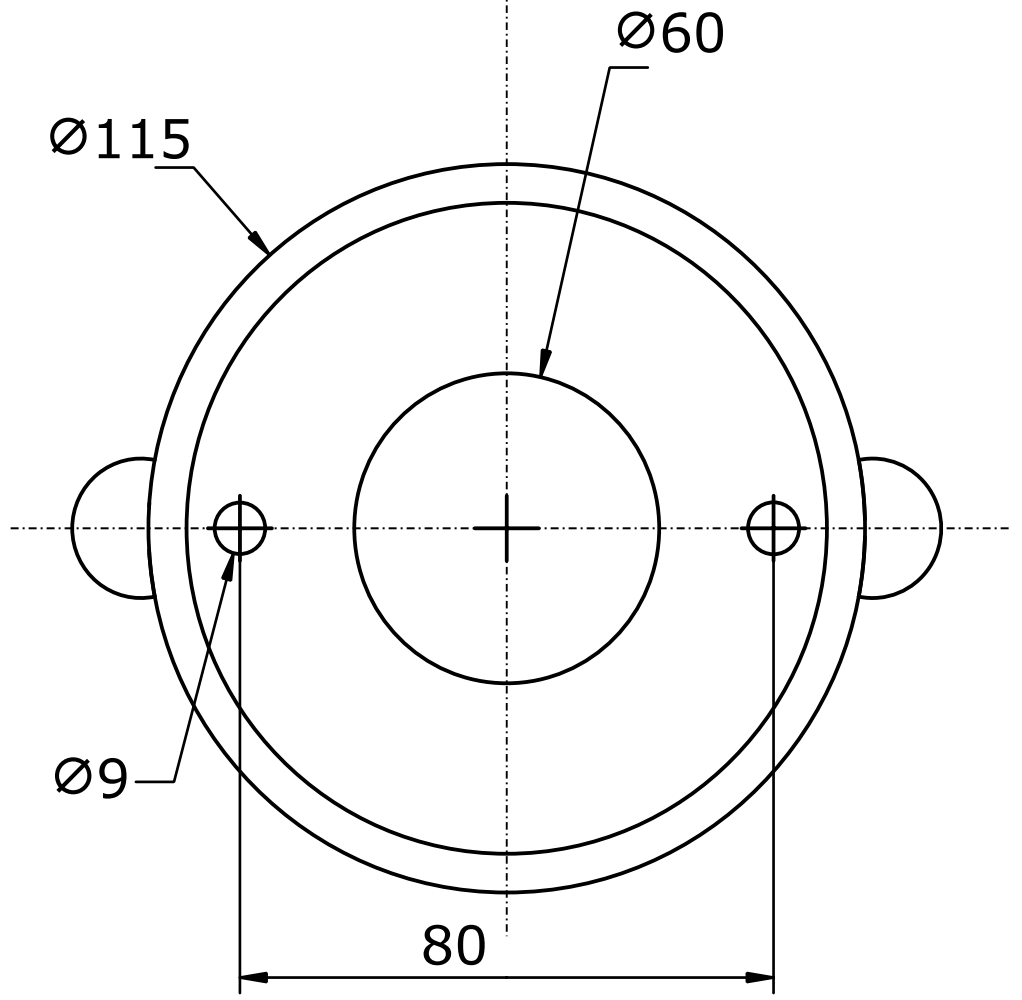
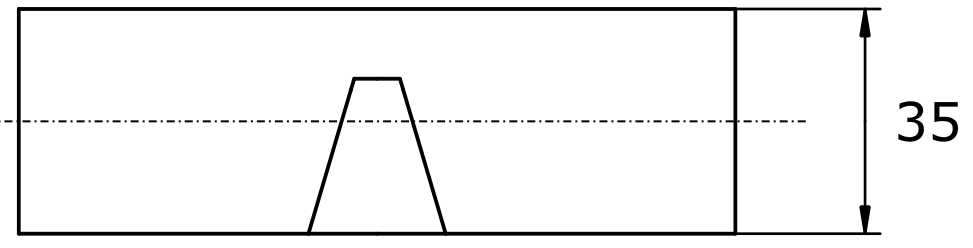
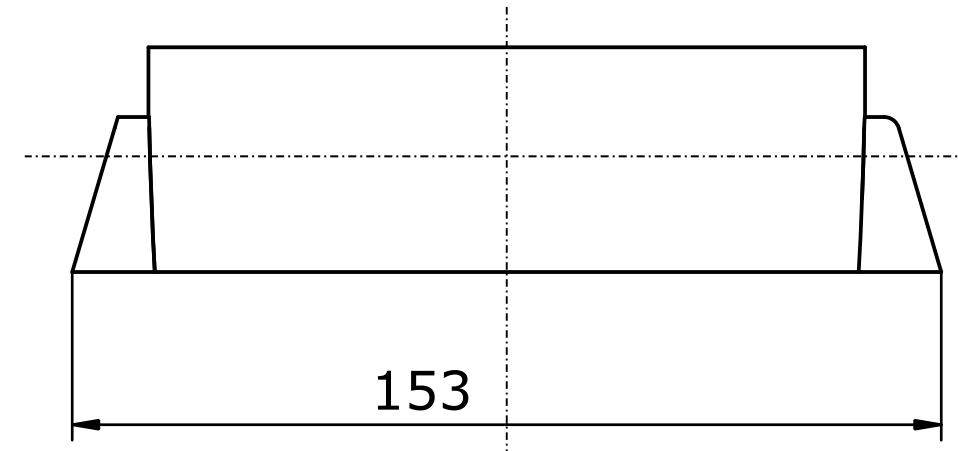


# Anodes compatible with Volvo Penta



Reference number  
875815



ISO (Norm.)

Anode Category :  
Anodes compatible with Volvo Penta

Material:  
Zinc

Article:  
9205

Weight:  
0,750kg

(For information only, is not subject to change management) Scale: **1:1**

Zst:	Changes:	Date: