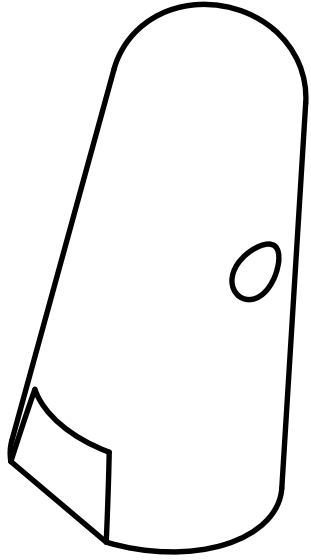
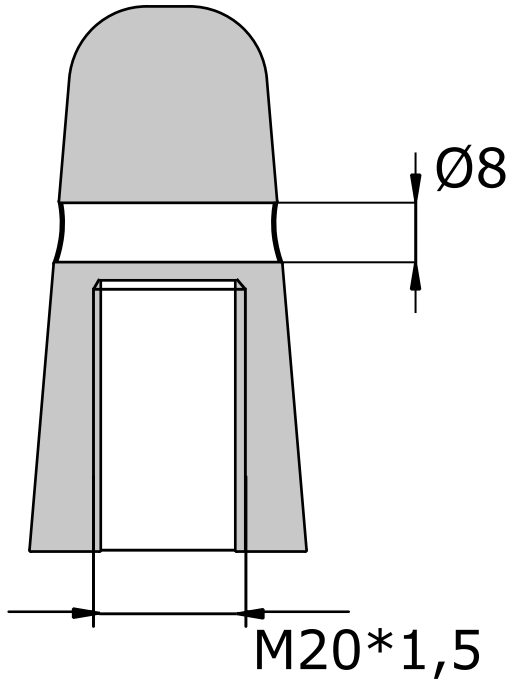
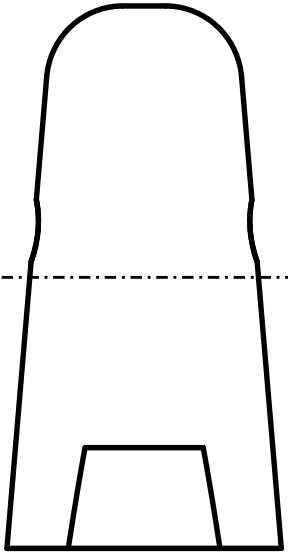
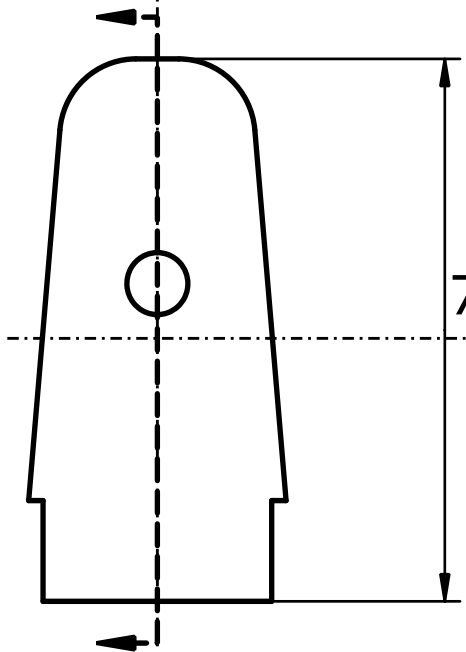
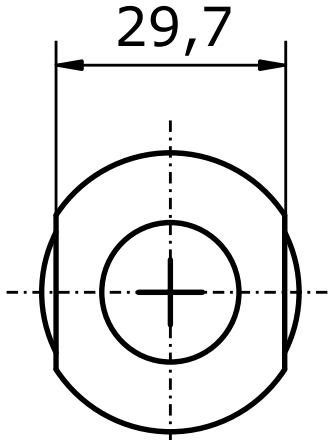


Anodes compatible with Volvo Penta

Reference number
873412



Sectional view A-A

Tilted view



ISO (Norm)

Anode Category :
Anodes compatible with Volvo Penta

Material:
Zinc

Article:
9220

Weight:
0,300kg

(For information only, is not subject to change management)

Scale: **1:1**

Zst: Changes: Date: