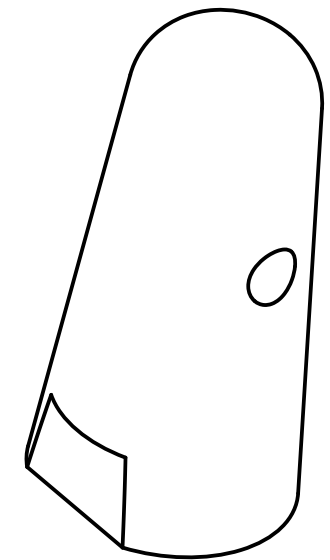
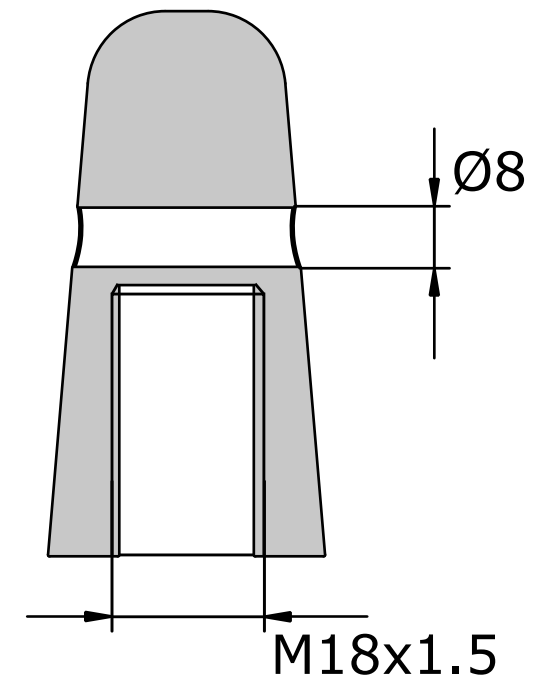
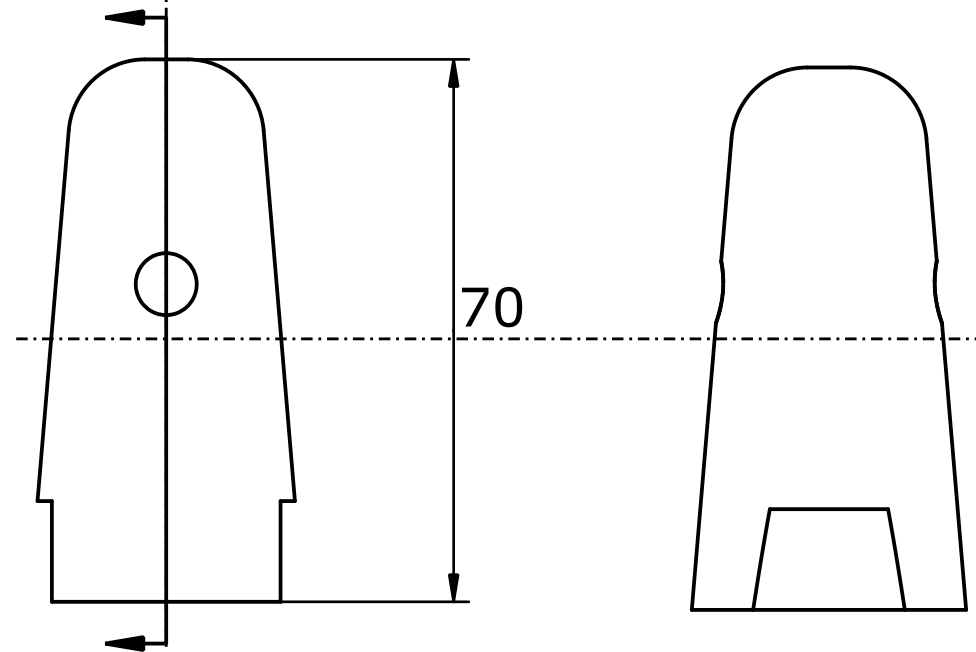
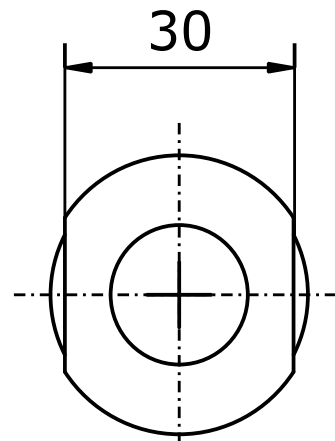
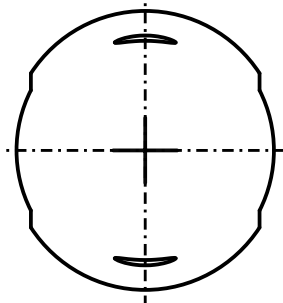


Anodes compatible with Volvo Penta



Sectional view

Tilted view

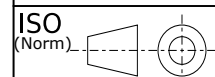


Anode Category :
Anodes compatible
with Volvo Penta

Article:
9229

Material:
Zinc

Weight:
0,300kg



(For information only, is not subject to change management)

Scale: **1:1**

Zst: Changes: Date: