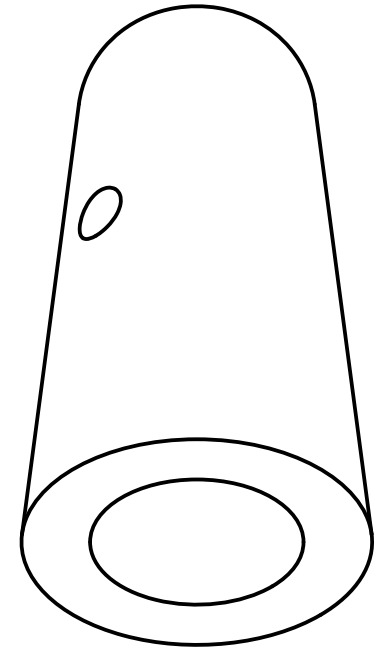
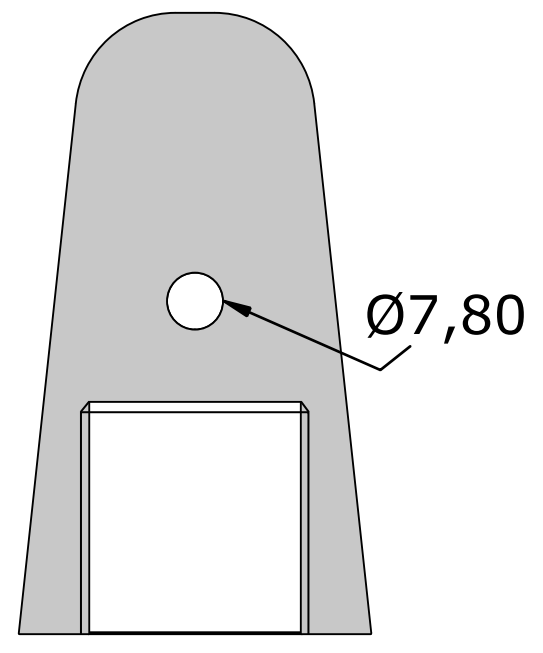
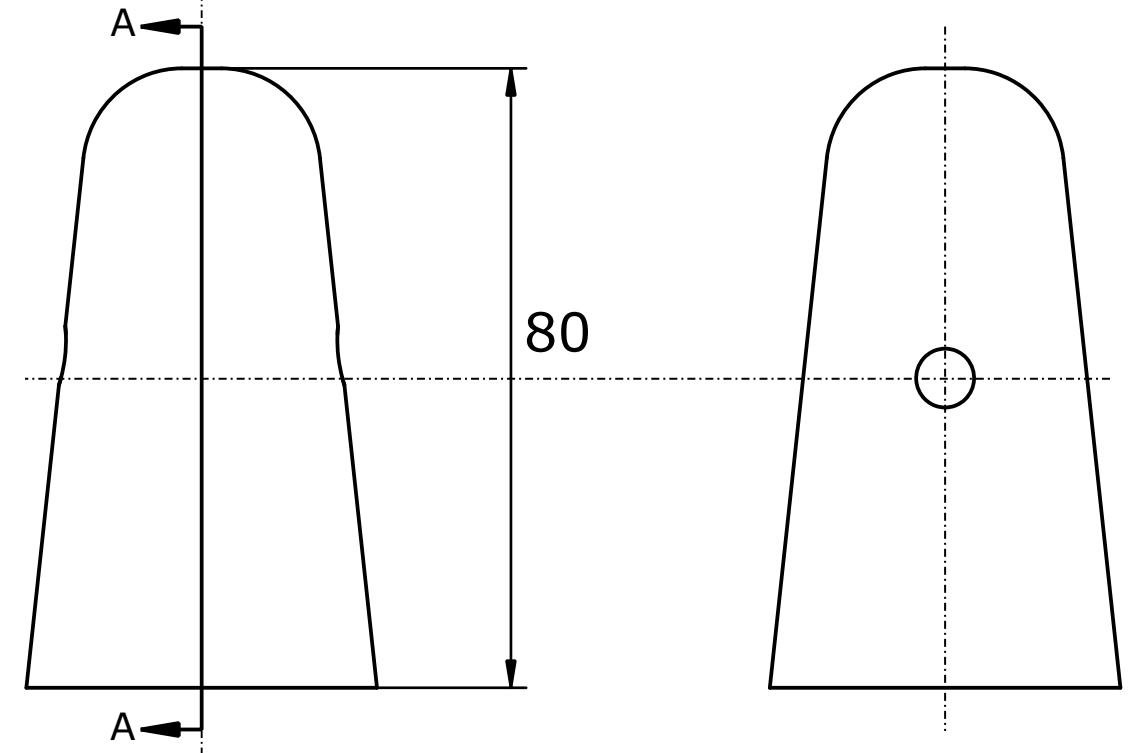
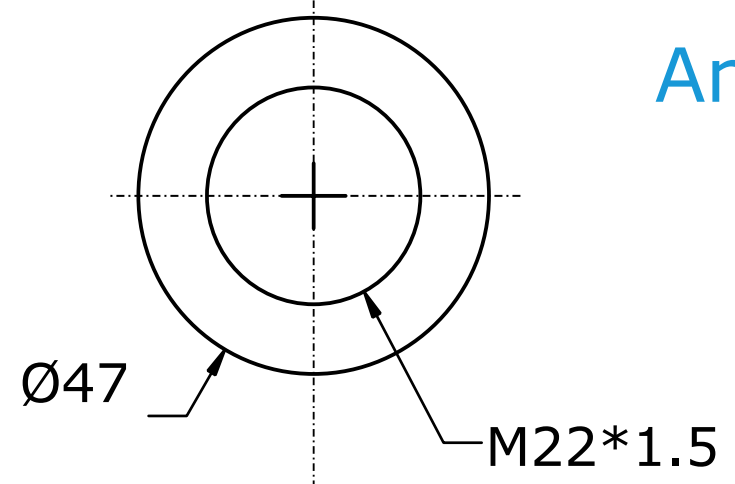
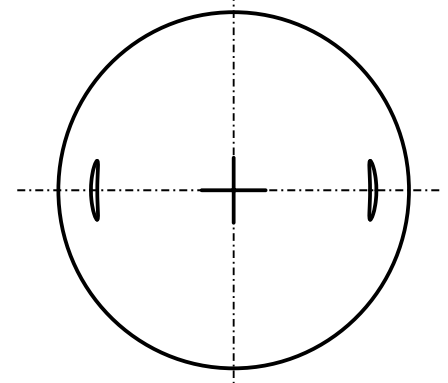


Anodes compatible with Volvo Penta



Sectional view A-A

Tilted view



Anode Category :
Anodes compatible with Volvo Penta

Material:
Zinc

Article:
9233

Weight:
0,570kg

ISO (Norm.)

(For information only, is not subject to change management)

Scale: **1:1**

Zst: Changes: Date: