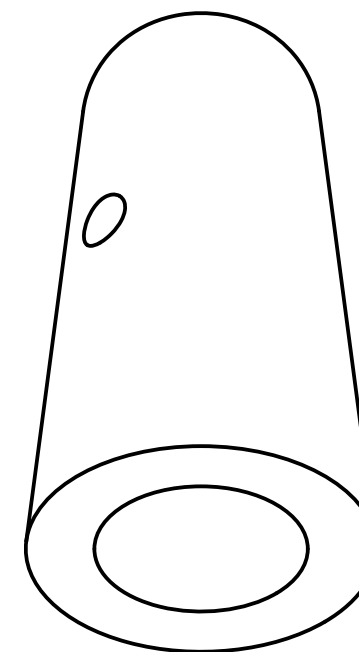
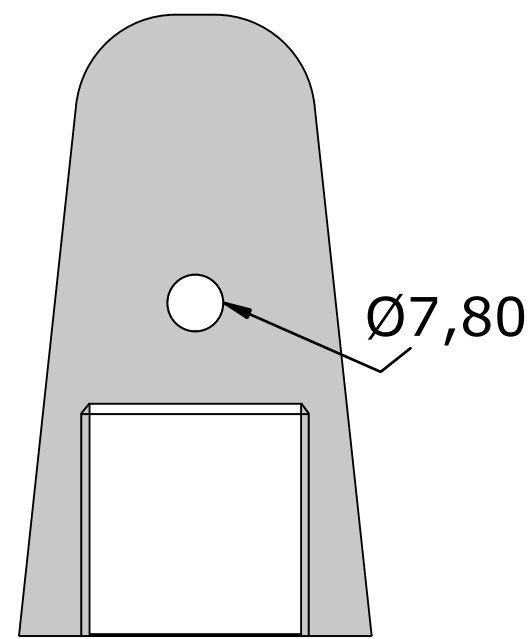
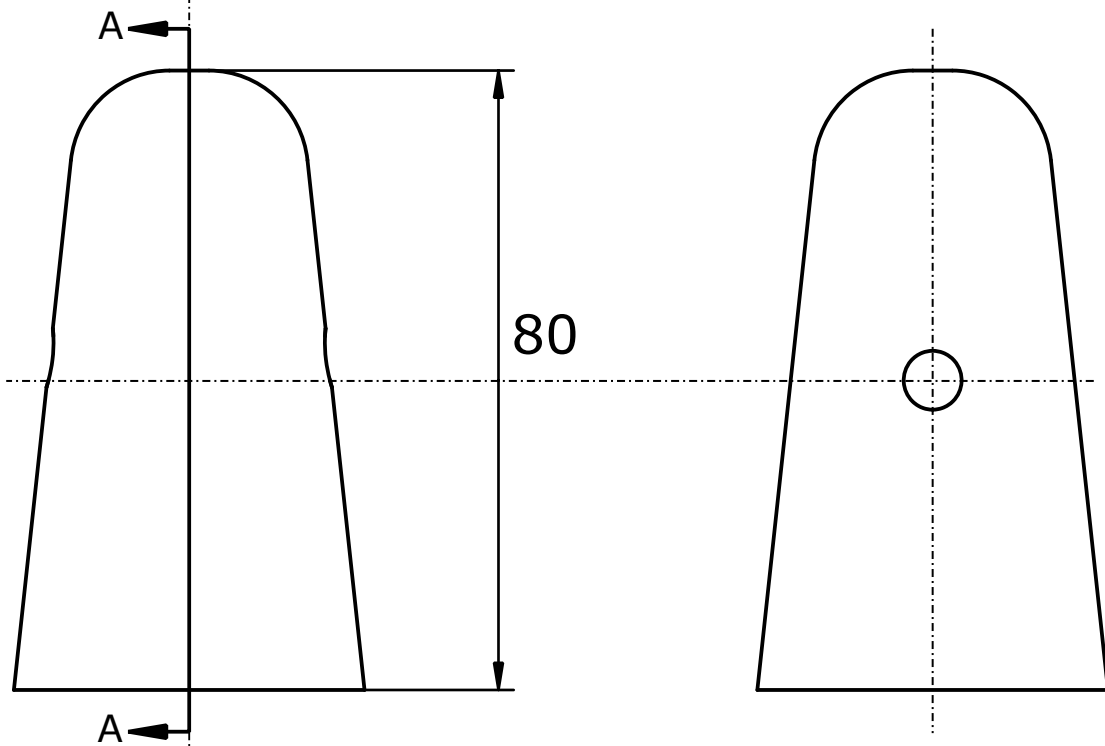
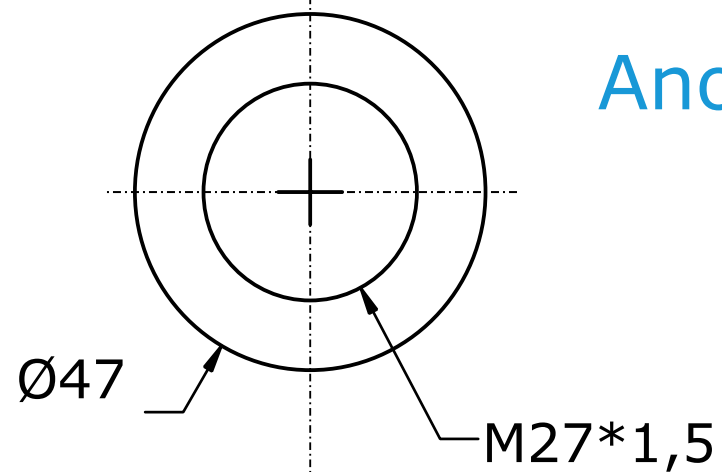
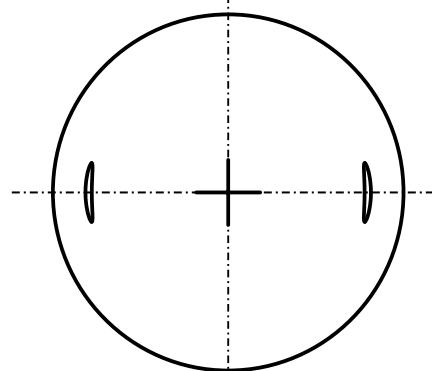


Anodes compatible with Volvo Penta



Sectional view A-A

Tilted view



	Anode Category :	Article:			
	Anodes compatible with Volvo Penta	9234			
	Material:	Weight:			
	Zinc	0,553kg			
ISO (Norm.)	(For information only, is not subject to change management)		Scale:	1:1	
	Zst:	Changes:	Date:		