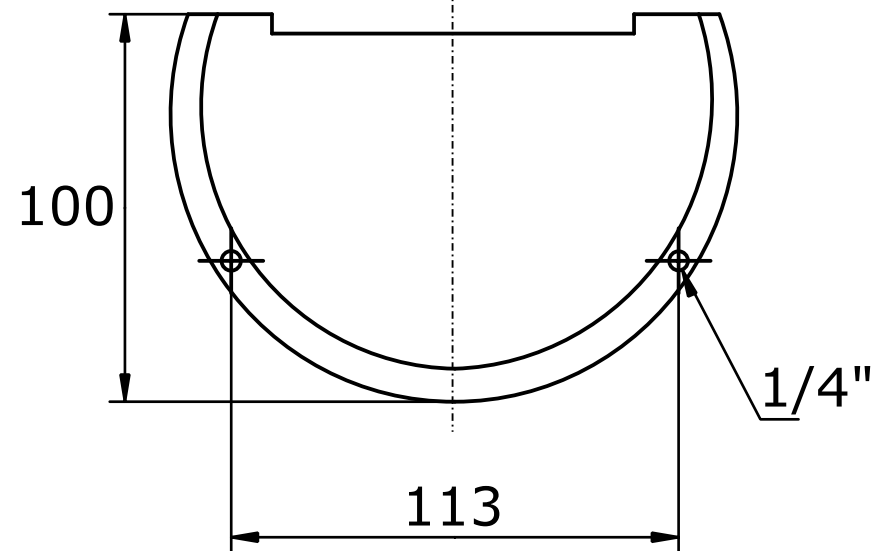
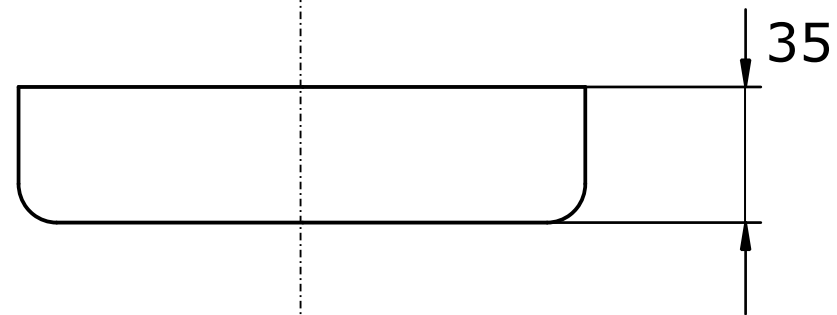
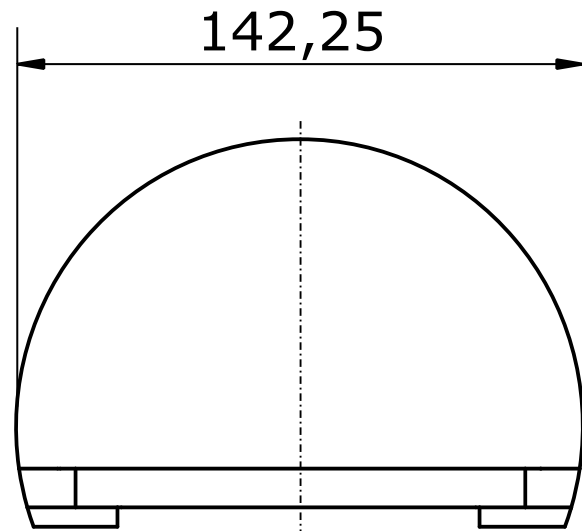
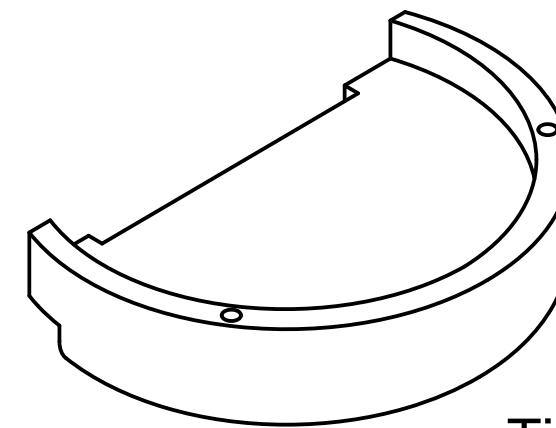


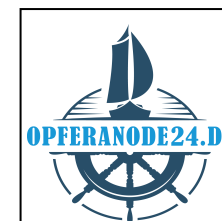
Anodes compatible with Volvo Penta



Reference number
3855411



Tilted view



ISO (Norm)

Anode Category :
Anodes compatible with Volvo Penta

Article:
9236

Material:
Zinc

Weight:
1,020kg

(For information only, is not subject to change management)

Scale: **1:1**

Zst:	Changes:	Date: