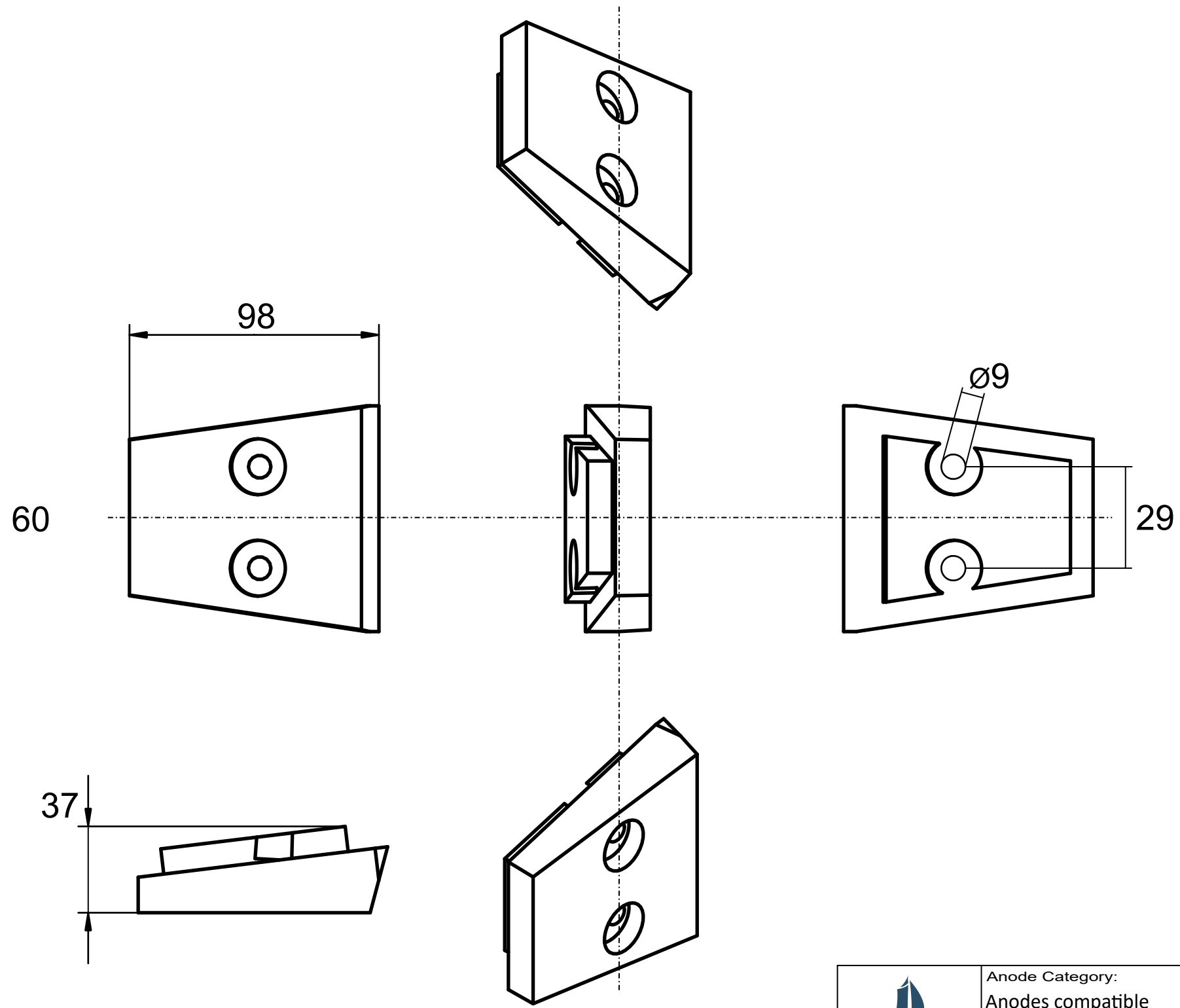



Anodes compatible with Volvo-Penta



	Anode Category: Anodes compatible with Volvo Penta	Article: 9239			
	Material: Zinc	Weight: 1,070			
ISO (Norm)	(For information only, is not subject to change management)		Scale: 1:1	Zst:	Changes:
				Date:	