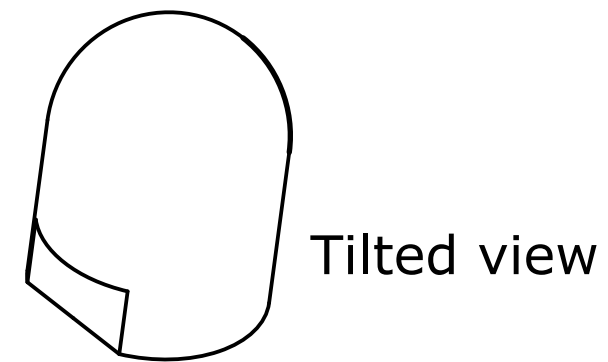
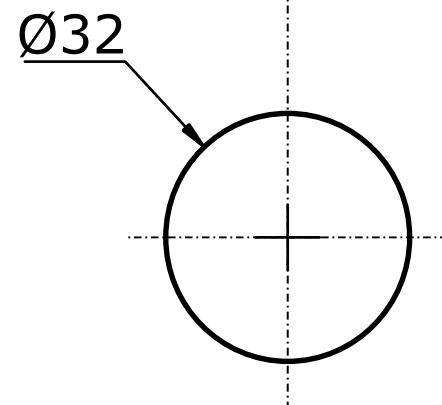
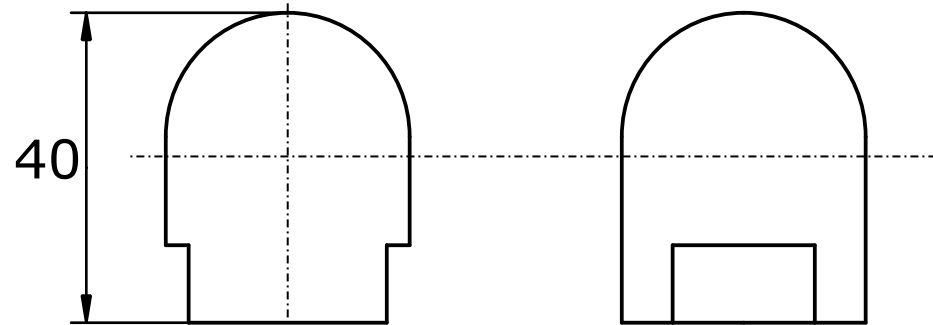
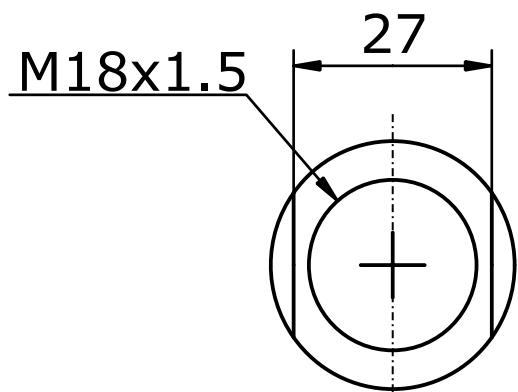


Anodes compatible with Volvo Penta



ISO (Norm)

Anode Category :
Anodes compatible with Volvo Penta

Article:
9242

Material:
Zinc

Weight:
0,130kg

(For information only, is not subject to change management)

Scale: **1:1**

Zst:	Changes:	Date: