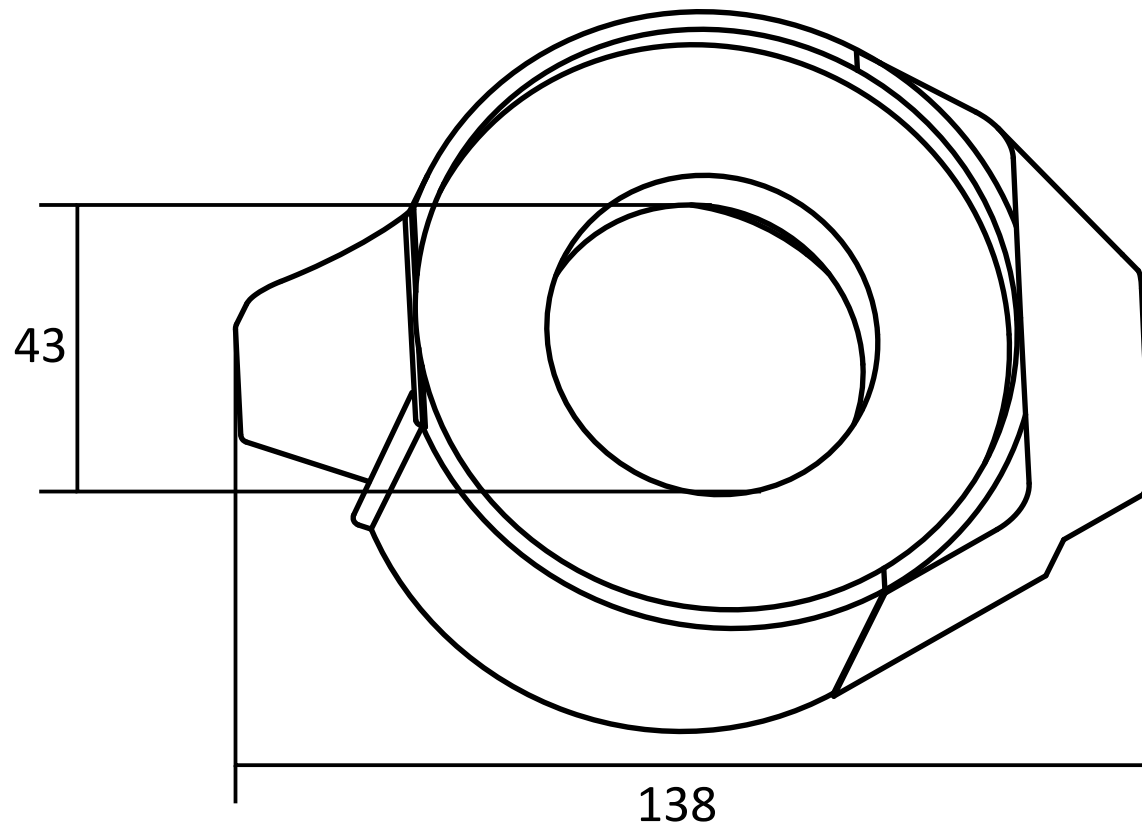
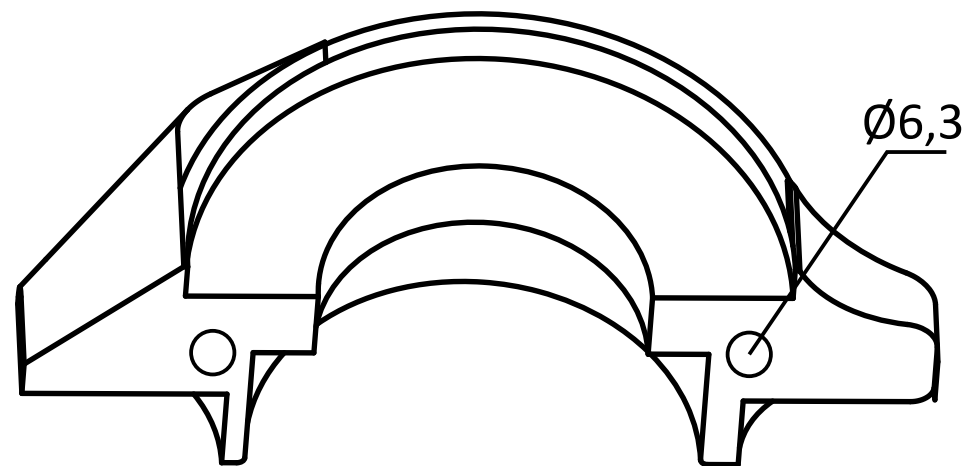
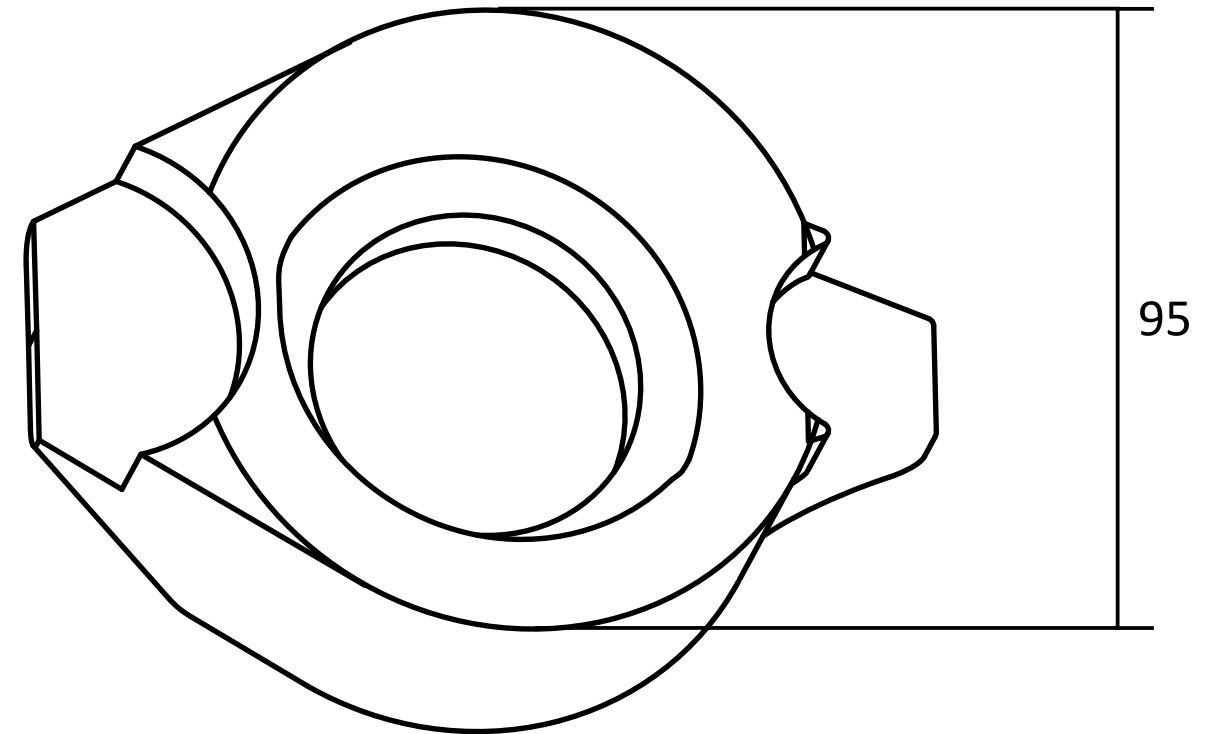


Anodes compatible with Volvo-Penta

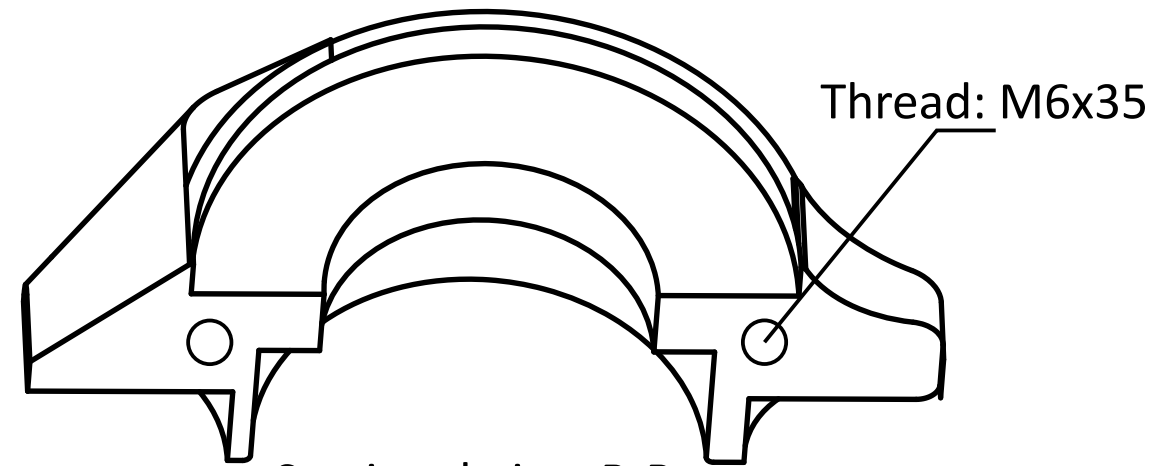
Front




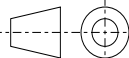
Backside



Sectional-view A-A



Sectional-view B-B

	Anode Category:	Article:			
	Volvo Penta	9244			
	Material:	Weight:			
	Zinc	1,49kg			
ISO (Norm) 	(For information only, is not subject to change management)		Scale:	1:1	
	Zst:	Changes:	Date:		