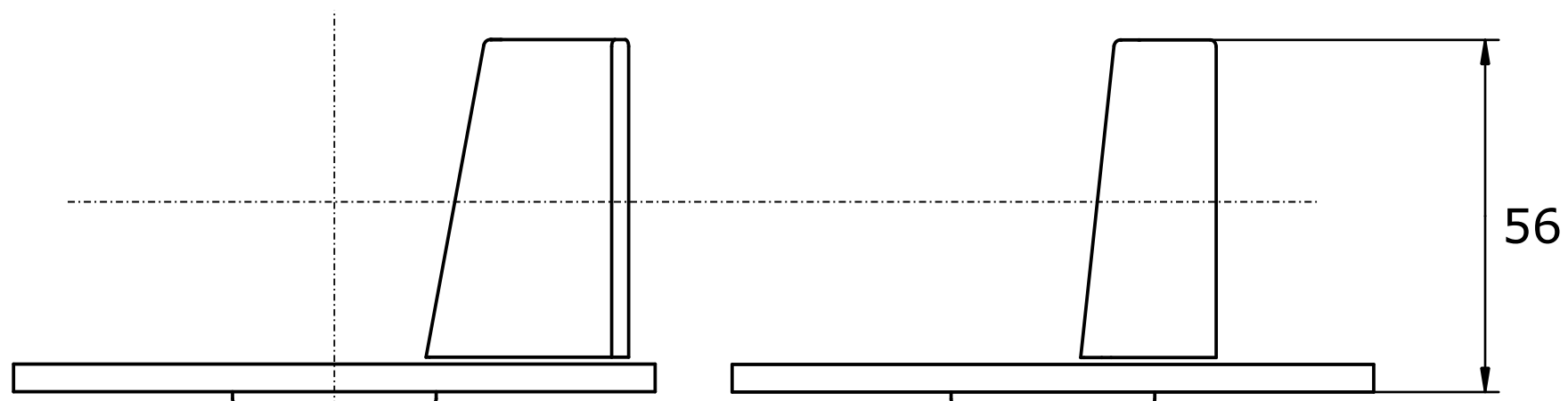
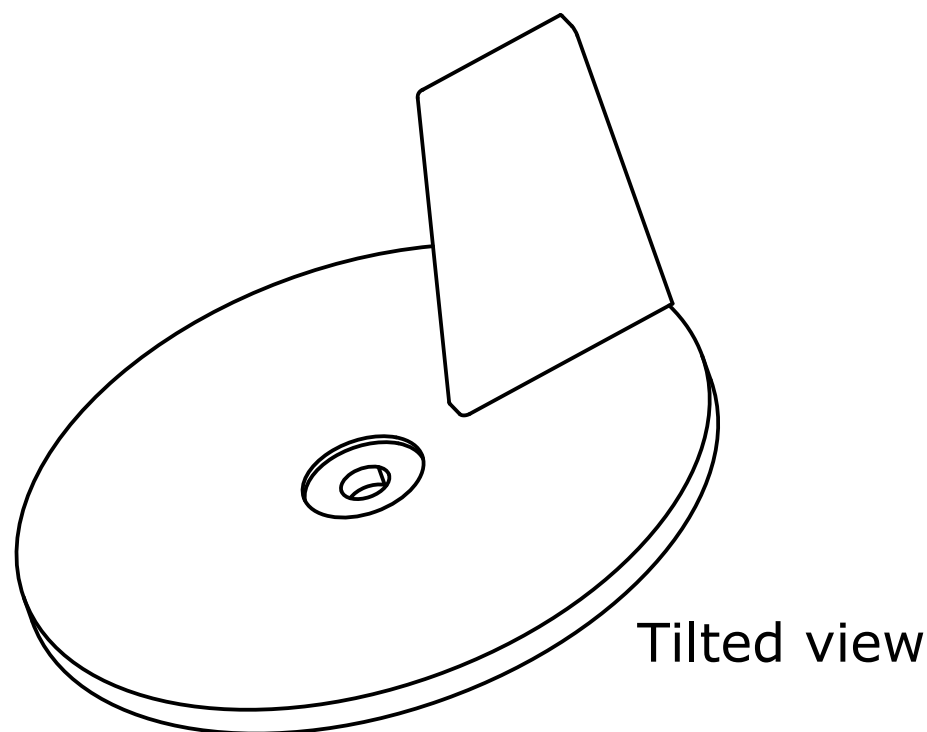
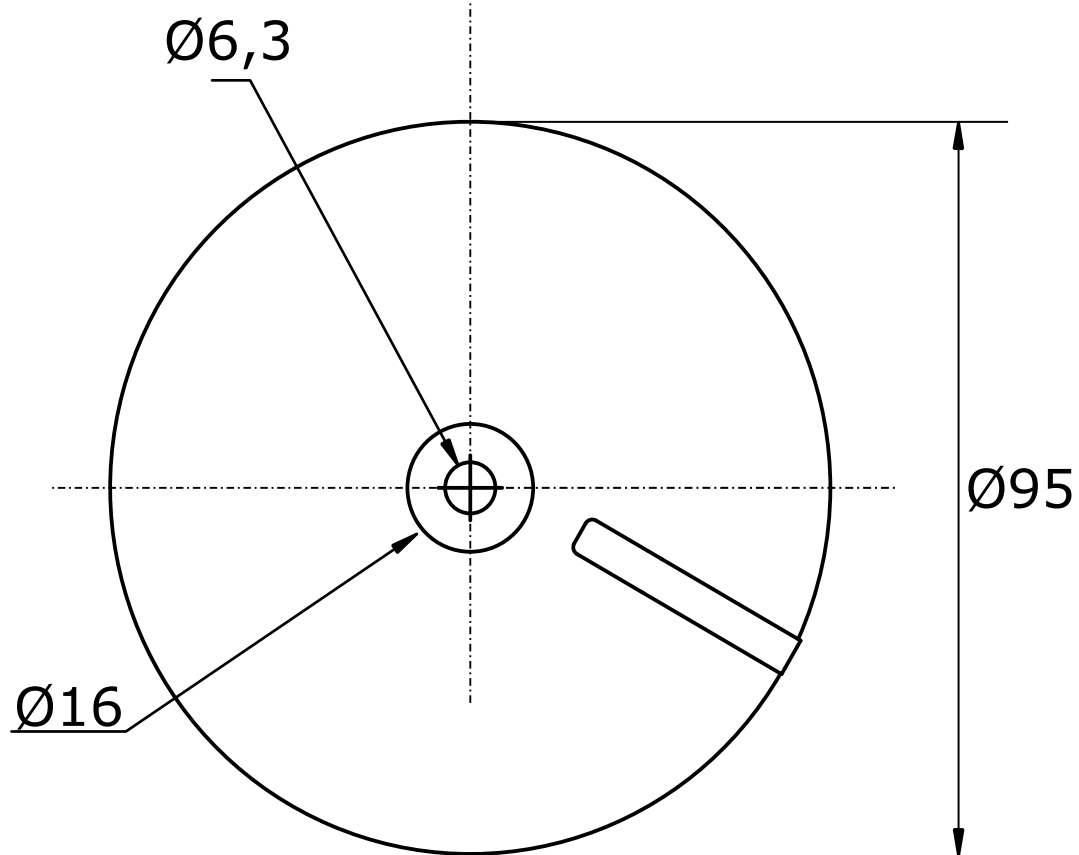


# Anodes compatible with Yamaha



Reference number  
664-45371-01



	Anode Category :	Article:			
	Anodes compatible with Yamaha	9536			
ISO (Norm.)	Material:	Weight:			
	Zinc	0,325kg			
(For information only, is not subject to change management)		Scale:	<b>1:1</b>	Zst:	Changes: Date: