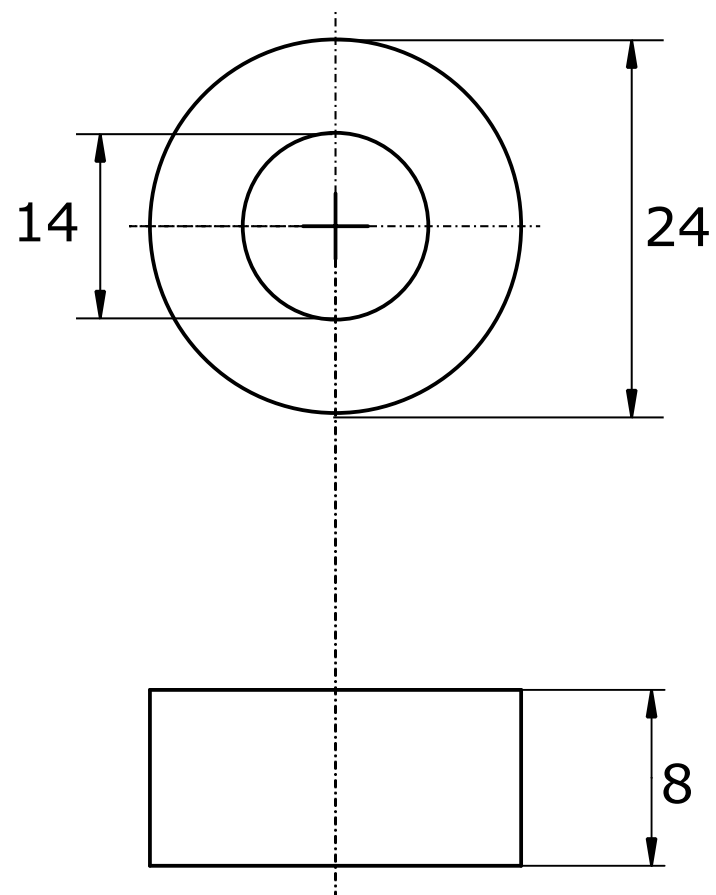
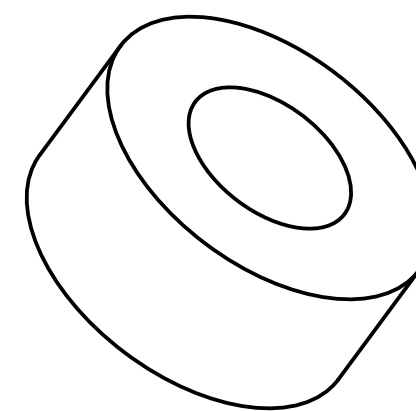


Anodes compatible with Yamaha



| |
|------------------|
| Reference number |
| 40-50Ps 67C |



Gekippte-Ansicht

| | | | | | |
|-------------|---|----------|-------------------|------|----------------|
| | Anode Category : | Article: | | | |
| | Anodes compatible with Yamaha | 9540 | | | |
| | Material: | Weight: | | | |
| | Zinc | 0,025kg | | | |
| ISO (Norm.) | (For information only, is not subject to change management) | | Scale: 1:1 | Zst: | Changes: Date: |