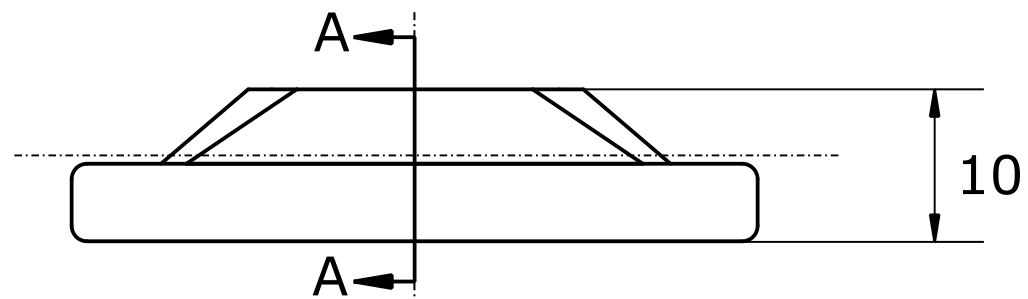
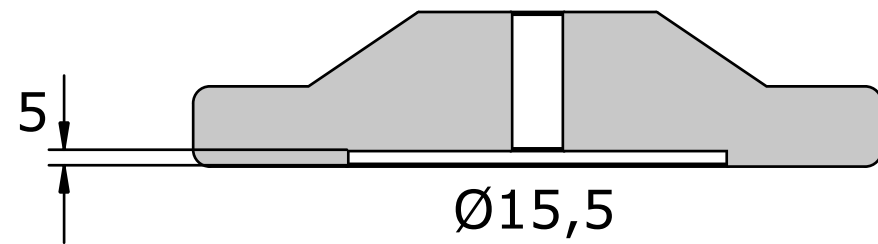
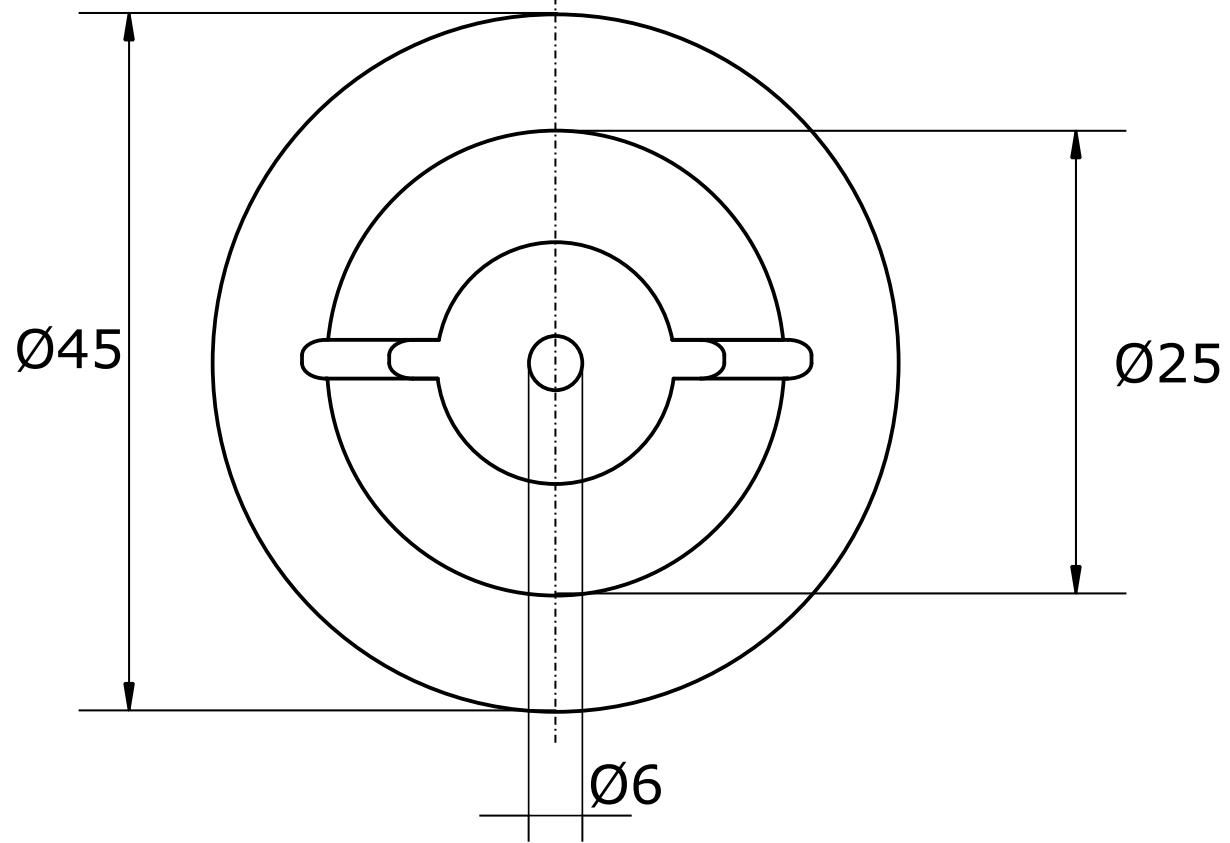


Anodes compatible with Yamaha



Reference number
6G1-45251-00



ISO (Norm.)

Anode Category :
Anodes compatible with Yamaha
Material:
Zinc

Article:
9541
Weight:
0,045kg

(For information only, is not subject to change management)

Scale: **1:1**

Zst: Changes: Date: