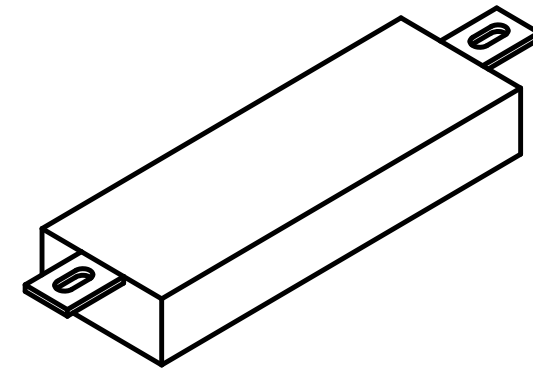
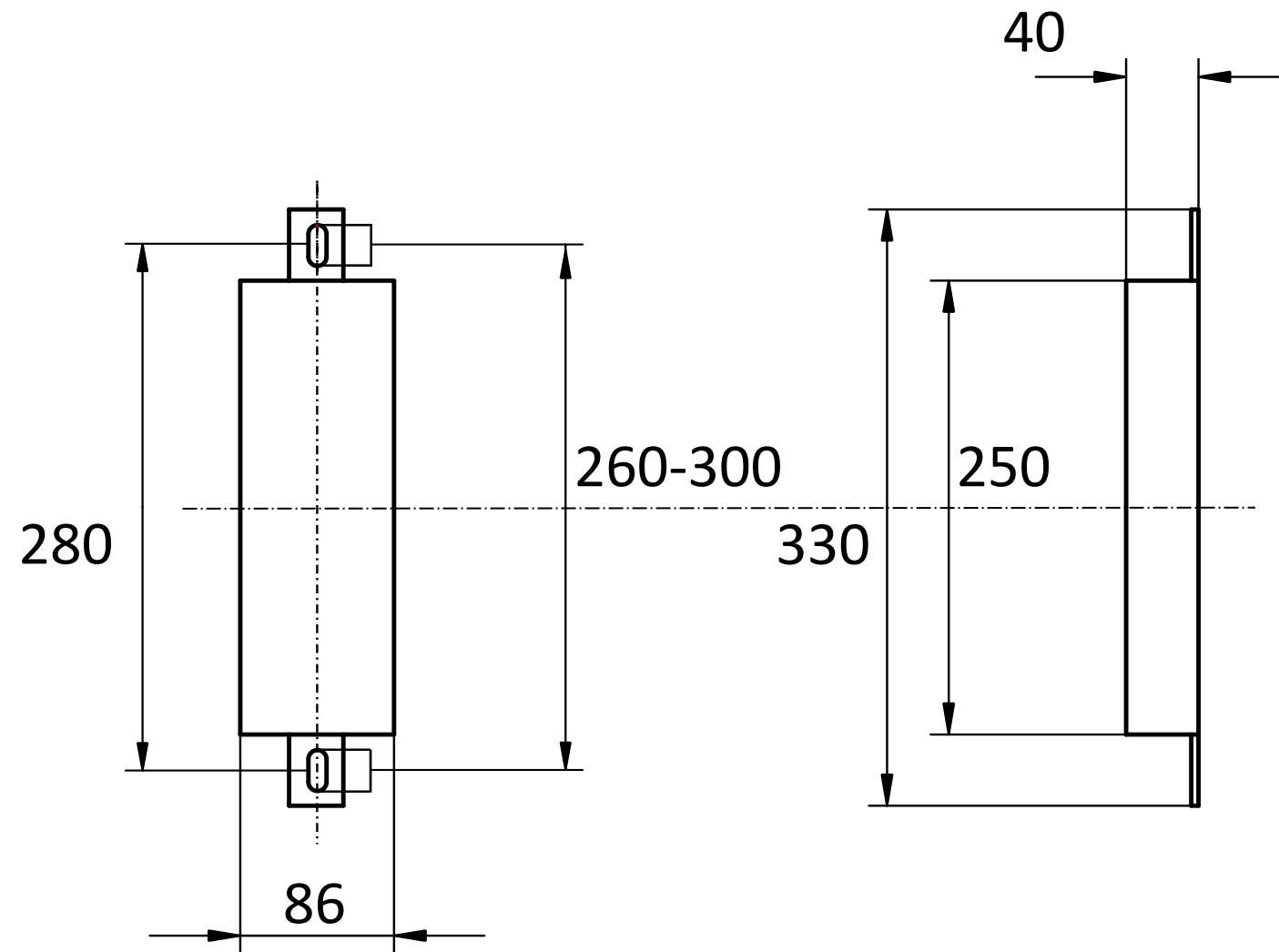

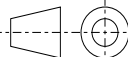


# Block anodes



Gekippte-Ansicht

	Anode Category :	Article:			
	<b>Block anodes</b>	<b>9352AL</b>			
	Material:	Weight:			
	<b>AlZn5In</b>	<b>1,87kg</b>			
ISO (Norm) 	(For information only, is not subject to change management)		Scale: /		
	Zst:	Changes:	Date:		